



DIFFERENTIAL PRESSURE GAUGE 702.01./5591

diameter 100mm
2x bottom connection

DESCRIPTION:

- cast case GD-AlSi 12(Cu) 3.2982
- glass, safety glass inspection hole
- connection 2x bottom inner or outer
- measure mechanism: stainless steel
 - seals: FPM/FKM

APPLICATION:

- heating industry
- air-conditioning
- power engineering
- petrochemical industry
- light industry and other

TECHNICAL PARAMETERS:

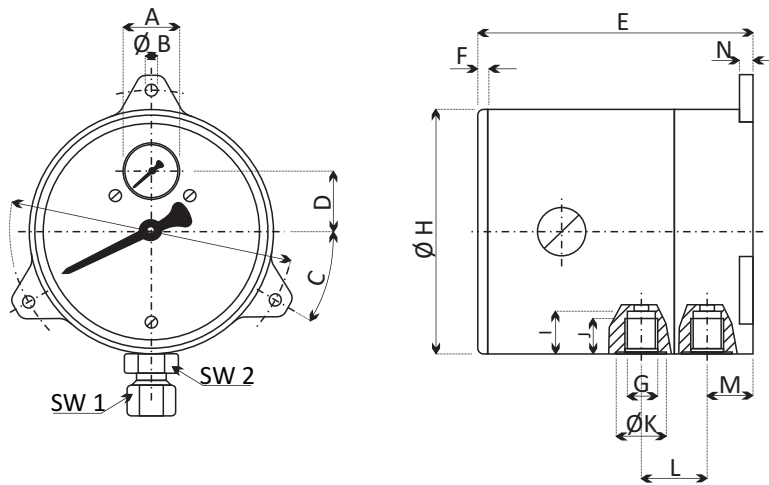
- diameter: 100mm
- measure ranges - differential pressure: 0-0,25...0-25bar
 - max. static pressure: 25bar
- connection thread: 2x G1/4, inner or outer
- accuracy class: 2,5% for differential pressure, 4% for static pressure
 - protection: IP 65

SPECIFICATION:

Differential pressure gauges 702.01./5591 are universal differential manometers with inbuilt static pressure display. They are produced in compliance with EN837-3. Differential pressure gauges 702.01./5591 can be used for pressure measurements of all liquids, vapours and gases, that do not have corrosive effect on copper alloys and their viscosity allows the use of measuring mechanism made of stainless steel 1.4305. These differential pressure gauges are commonly used in filtration units, pressure pumps and other appliances where it is necessary to monitor both static and differential pressure.

Differential pressure gauges are supplied in size $d=100\text{mm}$. Environment temperature -10 up to 70°C , medium temperature $T_{\text{max}} 90^{\circ}\text{C}$. Other design options on individual request - switching contacts, special scale design, connection threads, etc.

• 700.01.100



Dimensions in mm																	
Type	Nom.size	A	B	C	D	E	F	G	H	I	J	K	L	M	N	SW1	SW2
702.01.100	100	22	4,8	30°	25	112	4	G1/4	100	16,5	13	20,5	26	19	6	17	19