



ROUND CAPILLARY PRESSURE GAUGE

1037 Ø 37, 1040 Ø 40
1052 Ø 52mm

capillary 1000mm

DESCRIPTION:

- case: coloured plastic
- inspection hole: acrylate
- copper capillary with PVC protection
 - panel mounting design
 - spring latch for easy mounting

APPLICATION:

- heating industry and sanitary technology
- heating management, power engineering
 - light industry

TECHNICAL PARAMETERS:

- case: 37, 40, 52mm
- measure ranges: 0-4, 6bar
- capillary length: 500, 1000, 1500, 2000, 3000mm
- thread: G1/4 (M12x1,5, M14x1)

SPECIFICATION:

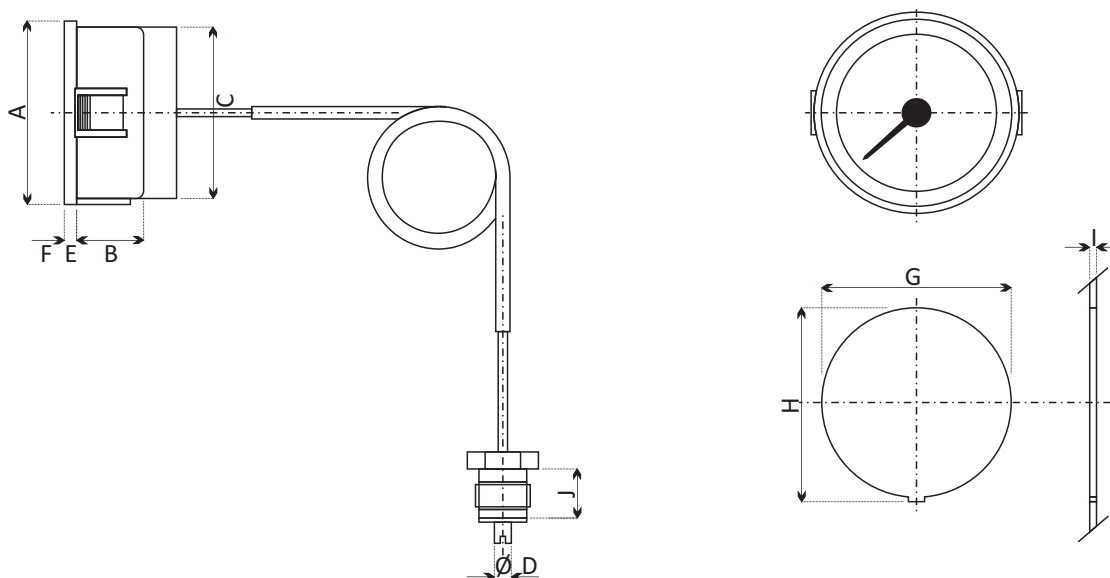
Capillary pressure gauges are designed for all applications, where the place of measuring is not identical with the place of reading.

Thanks to wide range of designs they can be used in miscellaneous applications. Mainly used for boilers, heating systems and other operations with pressure measurement necessity.

Maximum temperature of case surrounding is 70°C. Other options of design on individual request - special scale design, connection thread, etc.

Type	1037	1040	1052
Diameter	37mm	40mm	52mm
Pressure ranges	0 - 4 bar, 0 - 6 bar		
Capillary length, material	500, 1000, 1500, 2000, 3000 mm, copper with PVC protection		
Case	plastic, white, grey or black design		
Inspection hole	clear acrylate		
Scale	plastic, white, grey or black design; print and needle white, grey or black		
Connection thread	G 1 / 4, (M12x1,5, M14 x 1)		
Max case temperature	70 °C		
Min capillary radius	5mm		

• 1037, 1040, 1052



Type	Dimensions in mm									
	A	B	C	D	E	F	G	H	I	J
1037	42	11,5	37	4	6	2	37,5	39	0,8	11,5
1040	43	16	40	4	3	0	40,5	41,5	0,8	11,5
1052	57,5	13	52	4	7,5	0	53,5	52,5	0,8	11,5