

SQUARE CAPILLARY PRESSURE GAUGE

1137 37x37mm

1145 45x45mm

capillary 1000mm



DESCRIPTION:

- case: coloured plastic
- inspection hole: acrylate
- copper capillary with PVC protection
 - panel mounting design
 - spring latch for easy mounting

APPLICATION:

- heating industry and sanitary technology
- heating management, power engineering
 - light industry

TECHNICAL PARAMETERS:

- case: 37x37mm
(assembly 42x42mm including collar)
- case: 45x45mm
(assembly 48x48mm including collar)
- measure ranges: 0-4, 6bar
- capillary length: 500, 1000, 1500, 2000, 3000mm
 - závit: G1/4 (M12x1,5, M14 x1)

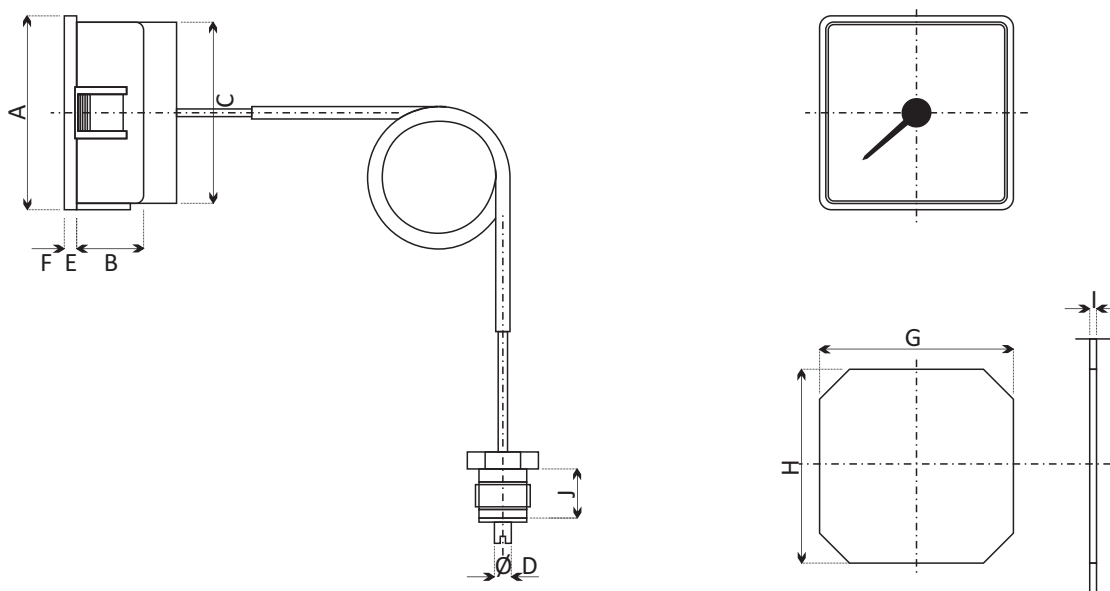
SPECIFICATION:

Capillary pressure gauges are designed for all applications, where the place of measuring is not identical with the place of reading. Thanks to wide range of designs they can be used in miscellaneous applications. Mainly used for boilers, heating systems and other operations with pressure measurement necessity.

Maximum temperature of case surrounding is 70°C. Other options of design on individual request - special scale design, connection thread, etc.

Type	1137	1052
Diameter	37x37mm, assembly 42x42mm with collar	45x45mm, assembly 48x48mm with collar
Pressure ranges	0 - 4 bar, 0 - 6 bar	
Capillary length, material	500, 1000, 1500, 2000, 3000 mm, copper with PVC protection	
Case	plastic, white, grey or black design	
Inspection hole	clear acrylate	
Scale	plastic, white, grey or black design; print and needle white, grey or black	
Connection thread	G 1 / 4, (M12x1,5, M14 x 1)	
Max case temperature	70 °C	
Min capillary radius	5mm	

• 1137, 1145



Type	Dimensions in mm									
	A	B	C	D	E	F	G	H	I	J
1137	42	19	37	4	6	0	37	37	0,8	11,5
1145	48	19	45	4	6	0	45,5	45,5	0,8	11,5