

# INDUSTRIAL PRESSURE TRANSDUCER

series THPB9, THIPB9



#### DESCRIPTION:

- good value for money
  - Al cast case
- resistance to corrosion, shocks and wear
  - resistance to reverse polarity, overvoltage protection, current protection

#### APPLICATION:

- metallurgical industry
  - power engineering
  - chemical industry
  - hydrology

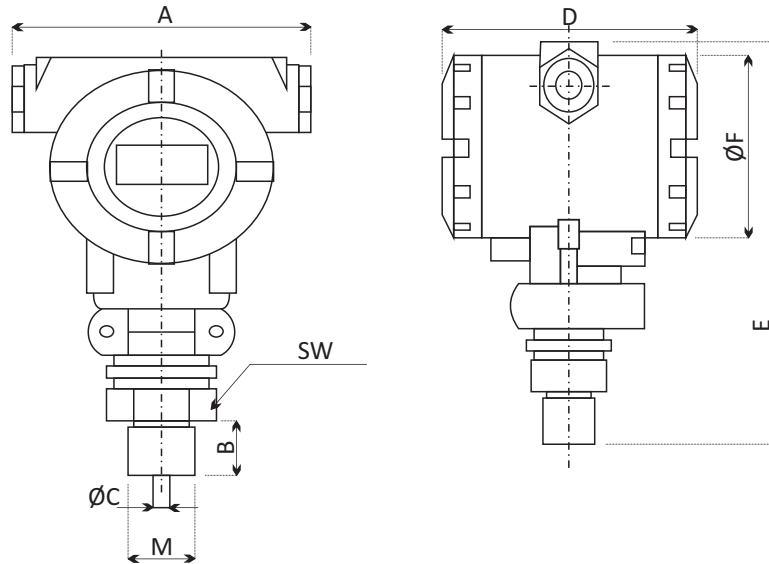
#### TECHNICAL PARAMETERS:

- measure ranges: -1-0...0,1-600bar
- output signal: 4-20mA, 0-5V, 0-10V, 1-5V, 4-20mA HART/THIPB9
  - connection: G1/2 (M20x1,5)
  - power supply voltage: 12-16V DC
- accuracy class: 0,25%FS; 0,5%FS (standard)
  - pressure types: relative, absolute
  - protection: IP 65

#### SPECIFICATION:

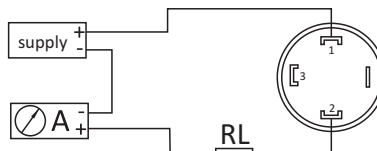
Pressure transducer THPB9 uses high quality sensors of pressure insulated by stainless steel separating membrane functioning as the sensing element. Connector THPB9 and separating membrane are made of stainless steel, electronic case and display unit is made of aluminum cast. THPB9 is fully tested on computer and set to zero by laser with sensitivity in wide temperature range. Output signal may be showed on the LCD display unit. THPB9 is proved to work by long-term use in demanding processes and is suitable for pressure measurement and control in heavy-duty conditions. THPB9 is suitable for pressure measuring in most industrial applications, chemical industry, metallurgy, power engineering, hydrology, etc.

TECHNICAL PARAMETERS			
Medium	gas or liquid suitable for contact with stainless steel	Temperature range	0-70°C
Range	-1-0...0,1-600bar	Storing temp.	-40+100°C
Accuracy class	0,25%FS; 0,5%FS (standard)	Electric connection	M20x1,5 (inner thread)
Pressure type	relative (G), absolute (A)	Connection	G1/2 (M20x1,5)
Stability	<0,2%FS/year	Sealing	fluorine - sealing ring
Output signal	4-20mA, 0-5V, 0-10V, 1-5V 4-20mA HART/THIPB9	Connector material	stainless steel 17 248/1.4541
		Membrane material	stainless steel 17 348/1.4571
Supply voltage	12-36V DC	Response time	<1ms
Load resistance	$RL=(U-12V)/0,02A$ (4-20mA current output) U - loop voltage (V)	Overload	150%FS-300%FS (determines measure range)
Case material	cast aluminium		



Dimensions in mm							
A	B	C	D	E	F	M	SW
110	20	5	102	150	68	M20x1,5	27

Wiring diagram



Order code:

THPB9, THIP98(HART)					
Range	measure range: -1-0...0,1-600bar				
(X1-X2)bar	X1 - bottom limit of the measure range, X2 - upper limit of the measure range				
Code	Pressure type				
G	relative				
A	absolute				
Code	Accuracy class				
C	0,25%				
D	0,5%				
Code	Output signal				
O1	4-20mA				
O2	0-5V				
O3	1-5V				
Oz	on request				
Code	Connection				
P2	G1/2				
P4	M20x1,5				
Pf	flange				
Pz	on request				
I1	ATEX design				
I2	non-flammable				
M1	3-1/2 LCD				
M2	3-1/2 LED				
THPB9	(-1~10)bar	G	D	O1	P2(I1M1)
	Range	Pressure type	Accuracy class	Output signal	Other

