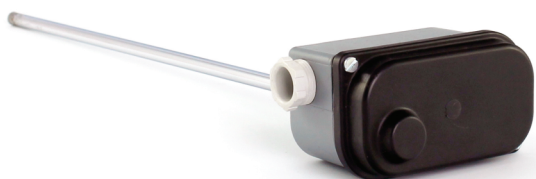


STEM THERMOSTAT series TH 140

resistant thermostat IP 44
load up to 15A



DESCRIPTION:

- temperature sensitive element is the stem of thermostat, consisting of: for TH 140 and TH 143 dilating brass for TH 141 and TH 144 anticorrosive tube
- temperature expansion of the tube is transferred by invar bar through lever gearing onto switching mechanism, which is placed in a waterproof head
 - regulatory button for required temperature setting is also placed in a waterproof head and may be arrested, so that the setting can not be changed by means of vibration, etc.
- for thermostat mounting into the regulated environment use union nut on thermostats stem
 - thermostats TH 140 and TH 141 are designed for direct loading - switching contacts are bypassed by arc-suppression condenser
 - thermostat TH 143 and TH 144 are designed for alternate loading

TECHNICAL PARAMETERS:

- regulatory range: 20-140°C (TH140,143)
100-200°C (TH141, 144)
- switching temperature difference: 1-4K (TH140, 143)
1-6K (TH141,144)
- stem length: 303 (TH141, 144); 350mm (TH140,143)
 - setting accuracy: 10%
- contact load: 60V, 1A ss; 120V, 0,5A ss (TH140, 141)
250V st, 15A st (TH143,144)
 - protection: IP 44

SPECIFICATION:

These thermostats are temperature dependent single-pole switches, which are designed for temperature regulation in liquid environment.

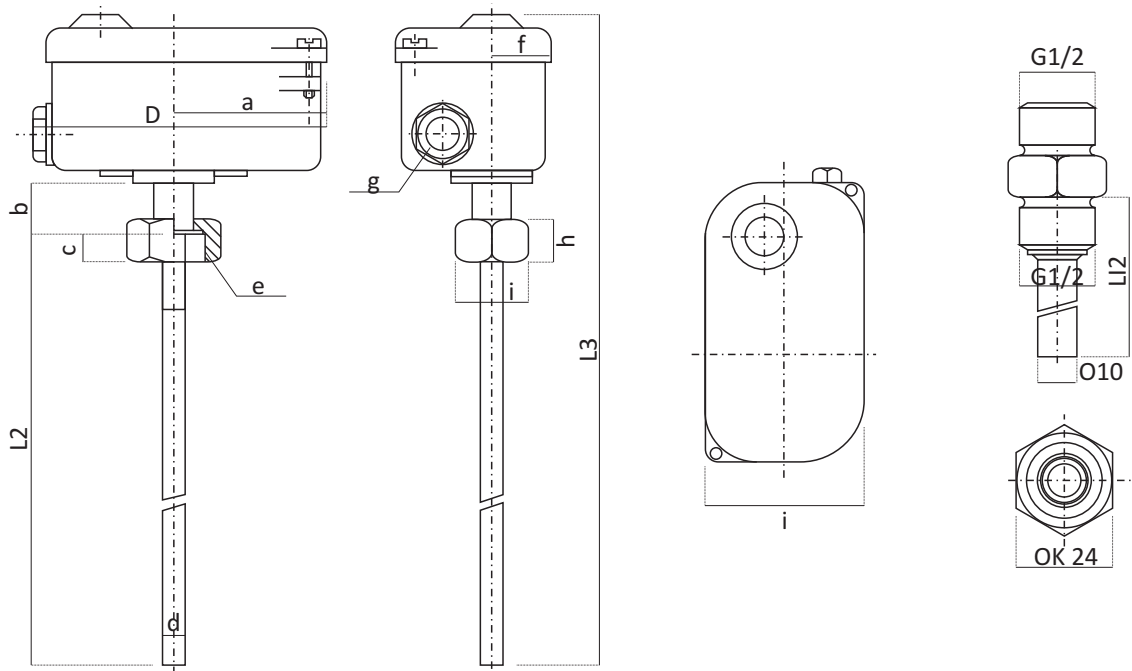
Suitable for hot-water heating regulation of thermoplastic and rubber moulding presses, further for regulation and temperature detection of water and oil baths.

The core of these thermostats is a reliable mechanical system, that has no power consumption itself. For assembly in liquid environment it is necessary to use a protection well. The stem must not be exposed to mechanical stress and must be placed in a way, so that it can freely dilate. Thermostats working position is arbitrary.

Type	TH 140	TH 141	TH 143	TH 144
Regulatory range	20-140°C	100-200°C	20-140°C	100-200°C
Switching temp. difference	1-4K	1-6K	1-4K	1-4K
Setting accuracy	±10%	±10%	±10%	±10%
Stem length	350	303	350	303
Contact load	60V, 1A ss 120V, 0,5A ss	60V, 1A ss 120V, 0,5A ss	250V, 15A st	250V, 15A st
Weight	0,75kg	0,75kg	0,75kg	0,75kg

• series TH 140, 141, 143, 144

• thermostat well series TH 140



Type	L	L1	L2	L3
TH 140	337	360	350	440
TH 141	287	310	303	393
TH 143	337	360	350	440
TH 144	287	310	303	393

Dimensions in mm										
D	a	b	c	d	e	f	g	h	i	j
108	56	18	6	8	G1/2	22	13,5	16	OK27	5

Wiring diagram

