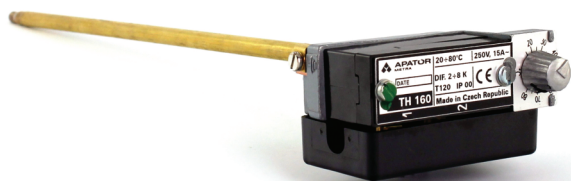


STEM THERMOSTAT series TH 160

protection IP 00
load up to 15A



DESCRIPTION:

- thermostats consist of two main parts: temperature sensor and switching head
 - dilative change of sensor is transferred by means of lever onto the switch
 - thermostats are made in switch off design (2 terminal) or switch over design (3 terminal)
- terminals are screwed with option of conductor connection with max. section 4 mm
 - protection terminal must be connected to protection conductor
- standard design is fitted with terminal cover for protection against unintended contact

TECHNICAL PARAMETERS:

- regulatory range: 20-75°C (TH160.1) 20-80°C (TH160, 160.2), 20-100°C (TH167) 20-160°C (TH162), 20-200°C (TH165) 30-160°C (TH164), 50-90°C (TH163) 60-120°C (TH169), 100-200°C (TH166)
- difference of switching temperatures: 8, 10, 16K
 - stem length: 100, 125, 160, 200, 250, 315mm
 - setting accuracy: 10%
 - contact load: 250V, 15A st TH 162 a TH 165 - 250V, 10A st
 - number of terminals: 2, 3
 - protection: IP 00

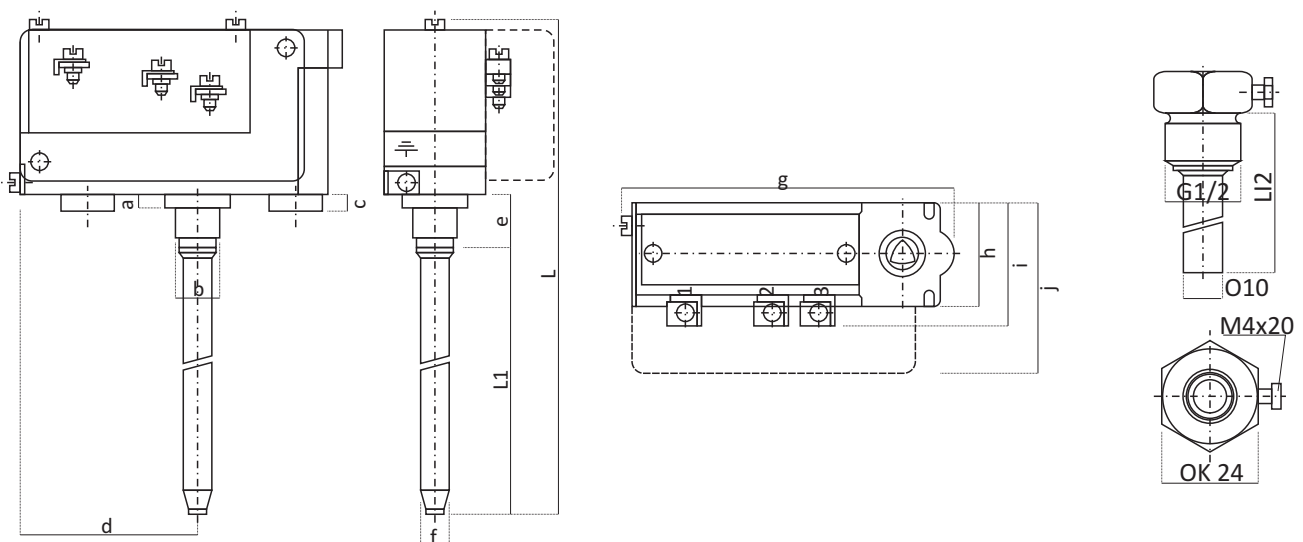
SPECIFICATION:

Stem thermostats TH 160 are temperature-dependent single-pole switches, based on principle of different temperature dilatation of two different metals. They are designed for electric circuit switching, however not as the main switch. The core of these thermostats is a reliable mechanical system, that does not have any power consumption itself. Products are known for significantly low operational and maintenance costs compared to electronic systems. Temperature setting of thermostats TH 160, TH 160.1, TH 160.2, TH 163, TH 164, TH 166, TH 167 a TH 169 is performed by a regulatory knob. Temperature may be reset within the nominal range by the operator. Switching temperature of thermostats TH 162 and TH 165 is set by the manufacturer based on order request. The preset temperature is fixed and may not be changed by the operator.

Type	TH 160	TH 160.1	TH 160.2	TH 162	TH 163	TH 164	TH 165	TH 166	TH 167	TH 169
Regulatory range °C	20-80	20-75	20-80	20-160	50-90	30-160	20-200	100-200	20-100	60-120
Switching temp. difference	8K	8K	8K	16K	16K	10K	10K	10K	10K	8K
Stem length	315	315	315	100	100	160	160	200	250	315
Contact load	250V 15A st	250V 15A st	250V 15A st	250V 10A st	250V 15A st	250V 15A st	250V 10A st	250V 15A st	250V 15A st	250V 15A st
Setting accuracy	±10% from the highest nominal switching temperature set on the thermostat									
Stem diameter	8mm									
Switching head max.temp.	120°C									
Weight	approx. 0,25-0,35kg									
Protection	IP 00									

• series TH 160

• well for thermostat series TH 160



Dimensions in mm									
a	b	c	d	e	f	g	h	i	j
3	12	4	47,5	14	8	90±3	27	35	45

Wiring diagram:

