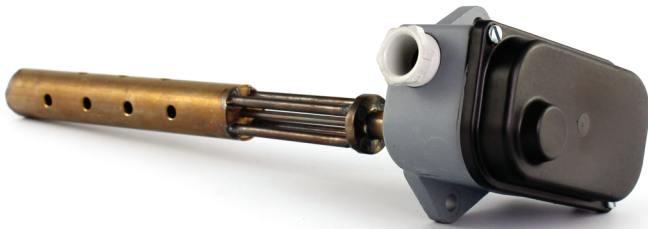


STEM THERMOSTAT

series TH 260, TH 261

protection IP 00
load up to 15A



DESCRIPTION:

- thermostats consist of two main parts: temperature sensor and switching head
- temperature-dependent element is the stem, consisting of dilating tube made of anti-corrosive heat-resistant steel
 - regulatory knob for temperature setting is closed in a waterproof head and may be arrested

TECHNICAL PARAMETERS:

- regulatory range: 200-400°C
- switching temperature difference: 5-20K
 - setting accuracy: 10%
- contact load: 0,5A, 120V ss (TH 260)
15A, 250V st (TH 261)
- permitted head temperature: 120°C
- permitted stem temperature: 500°C
 - protection: IP 44

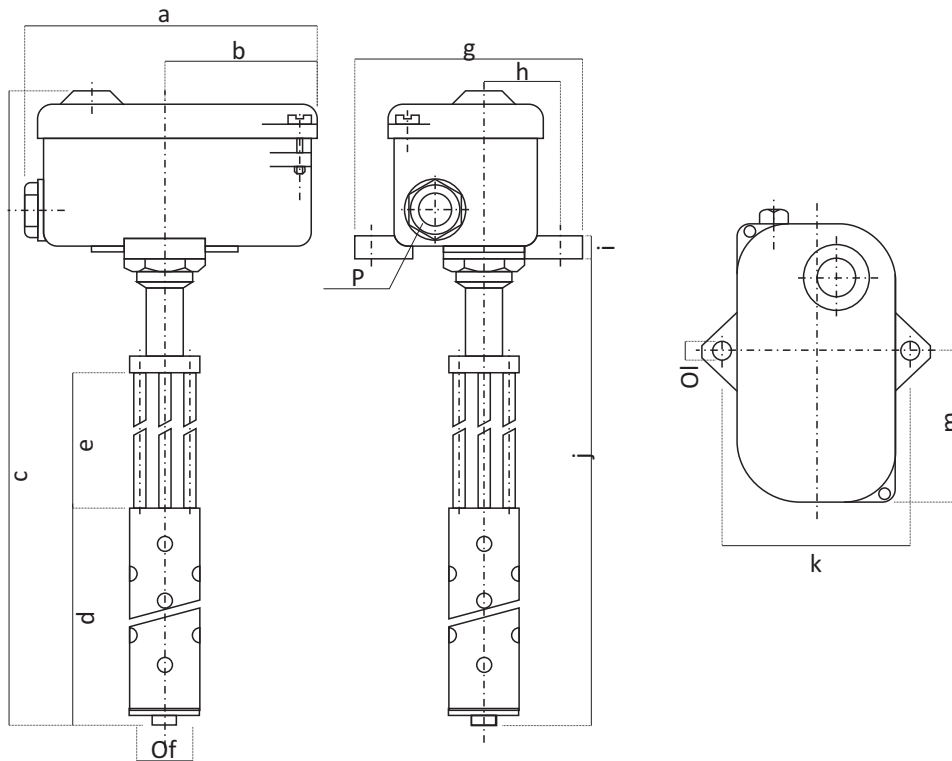
SPECIFICATION:

Stem thermostats TH 260, TH 261 are temperature-dependant single-pole switches, designed for protection against excessive exhaust gas temperature of diesel aggregate used for diesel-electric train heating. They may also be used for other thermoregulation.

Core of these thermostats is a reliable mechanical system, that has no power consumption itself. They are known for significantly low operational and maintenance costs compared to electric systems. Temperature dilation of the tube is transferred by invar bar and lever gearing onto the switching mechanism, which is enclosed in a waterproof head. There are two feet with screw holes designated for thermostat mounting.

Type	TH 260	TH 261
Regulatory range	200-400°C	200-400°C
Contact load	0,5A, 120V ss	15A, 250V st
Switching temp. difference	5-20K	5-20K
Permitted head temp.	120°C	120°C
Permitted stem temp.	500°C	500°C
Weight approx.	0,85kg	0,85kg
Protection	IP44	IP 44
Setting accuracy	±10% from the highest nominal switching temperature	

• TH 260, TH 261



Dimensions in mm													
a	b	c	d	e	f	g	h	i	j	k	l	m	P
108	56	641±3	~160	~70	26	86	27,5	8	272,5±2	70±0,3	7	56	P13,5

Wiring diagram

