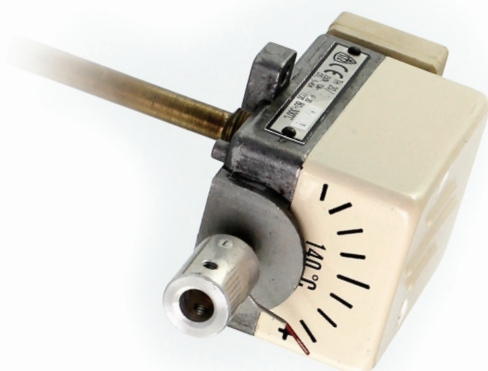


STEM THERMOSTAT series TH 20

protection IP 00
load up to 10A



DESCRIPTION:

- thermostats consist of two main parts: temperature sensor and a switching head
- switching head must be placed in environment of maximum temperature 120°C and relative air humidity max. 80%.

TECHNICAL PARAMETERS:

- regulatory range: 80-320°C
- switching temperature difference: min. 1K, max. 12K
- setting accuracy: $\pm 16^{\circ}\text{C}$ for 200°C
 - contact load: 10A, 250V st
 - number of terminals: 2, 3
 - protection: IP 00

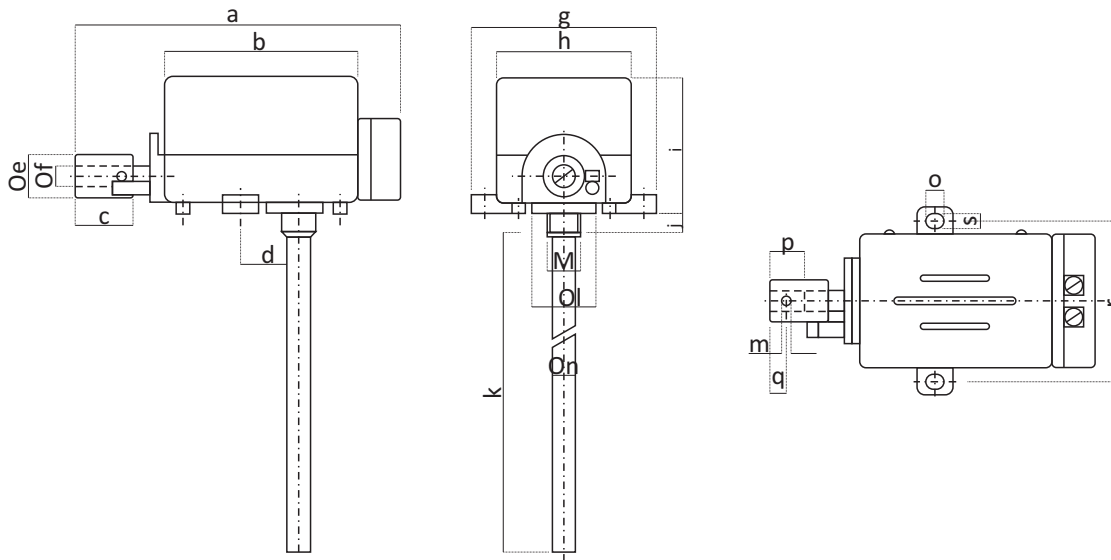
SPECIFICATION:

Thermostat TH20 is basically a single-pole automatic switch, based on principle of different temperature expansion of two metals. It is designed for thermoregulation in gas environment, heated by alternate current (electric ovens etc.), within its range. The core of these thermostats is a reliable mechanical system, that has no power consumption itself. They are known for significantly lower operational and maintenance costs compared to electric systems.

The thermostat consists of a stem and a switch head. The stem comprises of expansive tube and invar bar. For fitting purposes the thermostat is equipped with two holy risers. It is necessary to install the thermostat in a way, so that the lower part of the switching head is approximately 2 cm away from the body wall and this area is filled with insulating material, so that the head temperature does not exceed +120°C.

Type	TH 20
Regulatory range	80-320°C
Contact load	10A, 250V st
Switching temp. difference	5-12K
Permitted head temp.	120°C
Weight approx.	0,45kg
Protection	IP 00
Setting accuracy	±16% from 200°C

• TH 20



Dimensions in mm																			
a	b	c	d	e	f	g	h	i	j	k	l	M	m	n	o	p	q	r	s
120	72	22	22	16	8	70	50	51	~10	~330	24	12x1	M4	8	6,5	13	6	60	5

Wiring diagram

