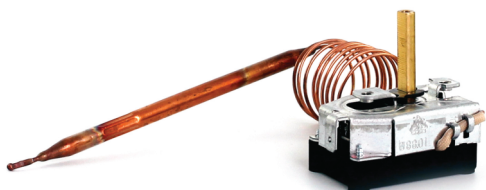


# THERMOREGULATOR

## series RT8801, RT8803

## RT8804

capillary length 1000mm  
load up to 16A



#### DESCRIPTION:

- design: switch off or throw-over contact
- connecting terminals: flat pins 6,3x0,8 according to ČSN EN 612 10
  - number of terminals: 2/3

#### TECHNICAL PARAMETERS:

- regulatory range: 0-40°C (RT 8801)  
7-77°C (RT 8803)  
50-190, 50-250, 50-320°C (RT 8804)
- switch off design: RTxx.01, RTxx.02
  - throw-over design: RTxx.021
- switching temperature difference: 1-3K, 2-5K, 4-10K
  - nominal current: 16(2,6)A
  - nominal voltage: 240V
- max. sensor temperature: 50°C (RT 8801)  
90°C (RT 8803)  
330°C (RT 8804)
- protection: IP 00, RT built-in

#### SPECIFICATION:

Thermoregulators (further only RT) are designed for thermoregulation in devices heated by electric alternate current, such as water heaters and electric ovens. RT is not to be used as a switch.

RT8801, RT8803, RT8804 are single-pole capillary thermoregulators based on principle of fluid expansibility.

RT consists of two main parts - switching unit and capillary temperature sensor. There is a protection grounding pin on the cover.

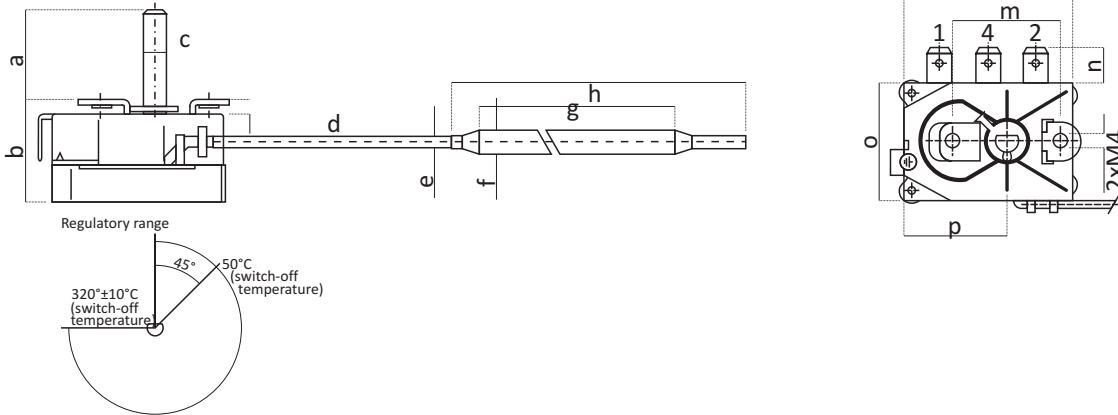
The regulated temperature may be set by the user within the regulatory range, RT 8803 may also be used as an antifreeze protection.

RT installation is performed by two M4 screws.

Type	RT 8801	RT 8803	RT 8804
Regulatory range	0-40°C	7-77°C	50-190, 50-250, 50-320°C
Setting accuracy	±2°C	±6°C	±10°C
Switching temperature difference	1-3K	2-5K	4-10K
Nominal current	16(2,6)A	16(2,6)A	16(2,6)A
Nominal voltage	240V	240V	240V
Temp. range of switching unit environ.	0-150°C	0-150°C	0-150°C
Max. sensor temperature	50°C	90°C	330°C
Protection	IP 00, RT is built-in	IP 00, RT is built-in	IP 00, RT is built-in
Protection class	I	I	I
Test class	II-100 000 automat. cycles	II-100 000 automat. cycles	II-100 000 automat. cycles
Min. capillary bent radius	R <sub>min</sub> =5mm	R <sub>min</sub> =5mm	R <sub>min</sub> =5mm
Connection terminals	flat pins 6,3 x0,8mm according to ČSN EN 612 10		

Type	Regulatory temp. range	Design	No. of terminals	Design	Grounding pin
8801.01	0-40°C	switch-off	2	straight	yes
8803.02	7-77°C	switch-off	2	straight	yes
8803.02U	7-77°C	switch-off	2	angular	yes
8803.021	7-77°C	throw-over	3	straight	yes
8803.021U	7-77°C	throw-over	3	angular	yes
8804.01	50-320°C	switch-off	2	straight	yes
8804.01U	50-320°C	switch-off	2	angular	yes
8804.011	50-320°C	throw-over	3	straight	yes
8804.011U	50-320°C	throw-over	3	angular	yes

• Thermostats RT



Dimensions in mm												
a	b	c	d	e	f	g	h	i	j	k	l	m
23	27	6h11	930	1,3	6	93	120	44	28	9	26,8	30,5

Wiring diagram

