



SINGLE-PHASE CAPILLARY THERMOSTAT

series MMG

capillary length 1000mm
load up to 20A

DESCRIPTION:

- design: switch-off or throw-over
- connection terminal: flat pins 6,3x0,8 according to ČSN EN 612 10
 - sensor material: copper
- capillary: copper with PVC protection

TECHNICAL PARAMETERS:

- regulatory range: 7-77, 20-127, 50-190°C
- sensor dimensions: 5x132mm, 6,5x113mm, 4x168mm
 - capillary dimensions: 1,4x920mm; 1,4x550mm; 1x1180mm
- switching temperature difference: 4K, 6K
 - switching range: 16A, 240V
 - nominal voltage: 250V
- max. environment temperature: 80°C
 - protection: IP 00

SPECIFICATION:

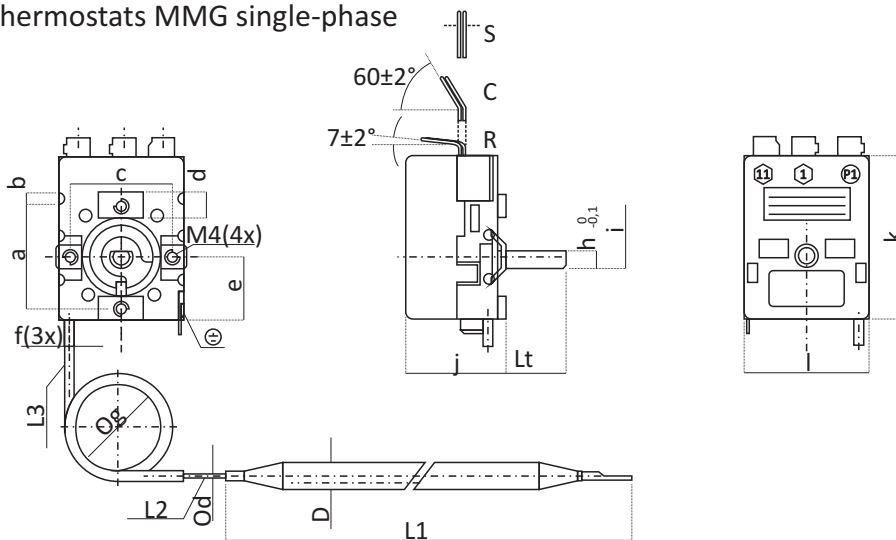
Single-phase capillary thermostats MMG are designed mainly for use in hot water boilers, washing machines, electric cookers, ovens and other appliances equipped with automatic thermoregulation.

May be used for all mediums, where it is possible to ensure correct heat transfer between the medium and the sensor.

Type	5271-0-107-0	5271-0-121-1	5271-0-157-1
Regulatory range	20-127°C	7-77°C	50-190°C
Life-time	100.000 switches		
Contact protection	I. (grounding)		
Protection	IP 00		
Connection	A 6,3 clamp stirrup		
Max. environment temp.	80°C		
Max. sensor envir. temp.	upper switch-off value +15%		
Relative air humidity	30-80%		
Storing temperature	5-50°C		
Installation	inner		
Position of use	any		
Weight	80g		

Type	Regulatory range	Switching temp. differ.	Sensor size	Capillary size	Protection collar
5271-0-107-0	20-127°C	4°C	O 5x132mm	O 1,4x920mm	250mm
5271-0-121-1	7-77°C	4°C	O 6,5x113mm	O 1,4x550mm	480mm
5271-0-157-1	50-190°C	6°C	O 4x168mm	O 1x1180mm	250mm

• Thermostats MMG single-phase



Dimensions in mm												
a	b	c	d	e	f	g	h	i	j	k	l	
28	3,5	26	6,5	17	6	30	4,6	6h11	27	44,5	34	

Wiring diagram

