

CAPILLARY THERMOSTAT

series TKR 100, 200, 300

setting by shaft,
screw, fixed
load 16A



DESCRIPTION:

- function of change-over contacts: switch-off/ switch-on
 - case material: galvanized sheet, plastic
 - sensor material: copper, stainless steel
- capillary material: copper with PVC protection, stainless steel

TECHNICAL PARAMETERS:

- regulatory range: -30+35, 0-40, 7-77, 0-90, 20-127, 0-210, 0-300°C
- setting accuracy: ± 5 , $\pm 3-8$, $\pm 6-10$, $\pm 8-15$ °C
 - difference: 2 ± 1 , 3 ± 1 , 6 ± 2 , 8 ± 2 °C
- max.sensor temperature: 65, 120, 135, 250, 350°C
- capillary length: 500, 1000, 1500, 2000, 3000mm
 - angular setting: 270°C
- contact load: 16(4)A, 250V; 6(1)A, 400V

SPECIFICATION:

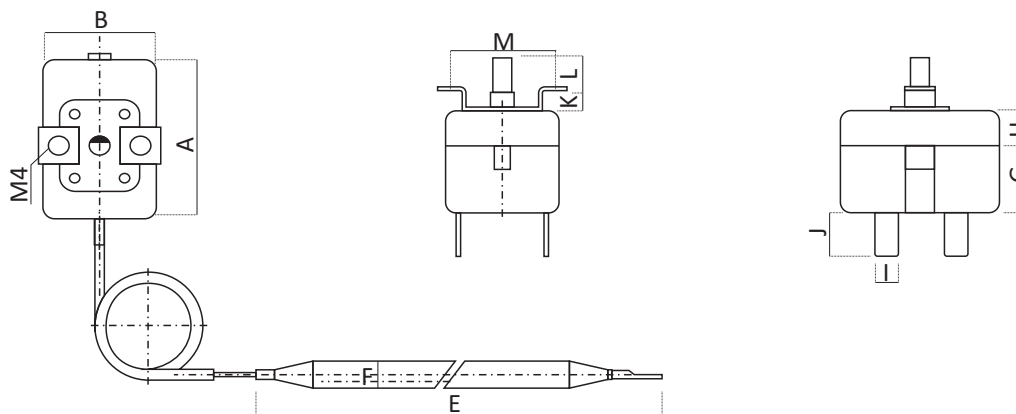
Capillary thermostats are designed for thermoregulation in appliances heated up by alternate electric current (boilers, etc.)

Thermostats do not serve as a breaker.

Thermostats are supplied with change-over contacts, you can choose from desired function: switch on or switch off. Required temperature can be set by shaft (regulatory knob shaft shoulder optional) model TKR 100, on model TKR 200 using screwdriver by turning screw with temperature scale. On model TKR 300 the required temperature can not be set, the fixed value is set by manufacturer.

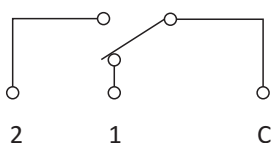
Typ	TKR 100						
Regulatory range	-30+35°C	0-40°C	7-77°C	0-90°C	20-127°C	0-210°C	0-300°C
Setting accuracy	±5°C	±5°C	±5°C	±5°C	±3-8°C	±6-10°C	±8-15°C
Difference	2±1°C	2±1°C	3±1°C	3±1°C	3±1°C	6±2°C	8±2°C
Max. sensor temperature	65°C	65°C	120°C	120°C	135°C	250°C	350°C
Capillary length	500, 1000, 1500, 2000, 3000mm						
Algular setting	270°C						
Pouzdro	galvanized sheet / plastic						
Case	copper						stainless st.
Capillary	copper with PVCprotection						stainless st.
Contact load	16(4)A, 250V; 6(1)A, 400V						

• Thermostat TKR100



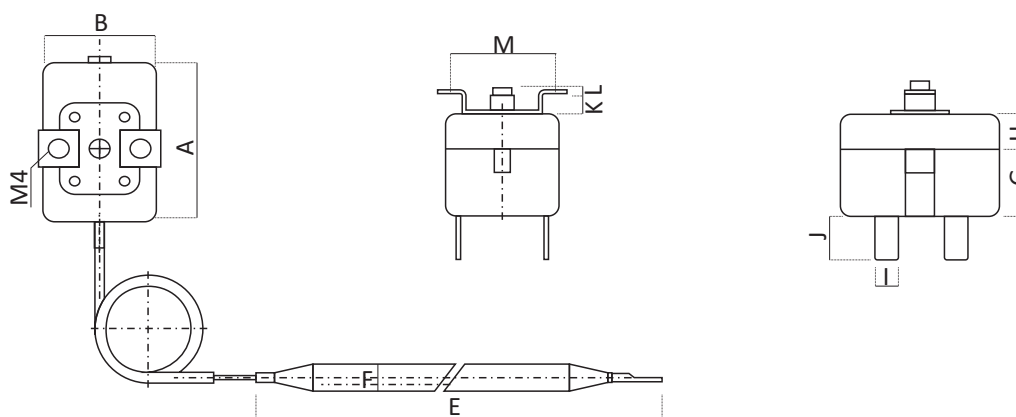
Dimensions in mm													
	A	B	C	D	E	F	G	H	I	J	K	L	M
TKR 100	44	32	M4	500-3000	75	6,5	17	11	6,3	10	7,5	14	28

Wiring diagram



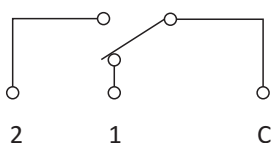
Type	TKR 200
Regulatory range	0-90°C, other ranges on request
Accuracy setting	min. temperature $\pm 5^\circ\text{C}$, max. temperature $\pm 3^\circ\text{C}$
Difference	$3 \pm 1^\circ\text{C}$
Max. sensor temperature	120°C
Capillary length	500, 1000, 1500, 2000, 3000mm
Angular setting	270°C
Case	galvanized sheet / plastic
Sensor	copper
Capillary	copper with PVC protection
Contact load	16(4)A, 250V; 6(1)A, 400V

• Thermostat TKR200



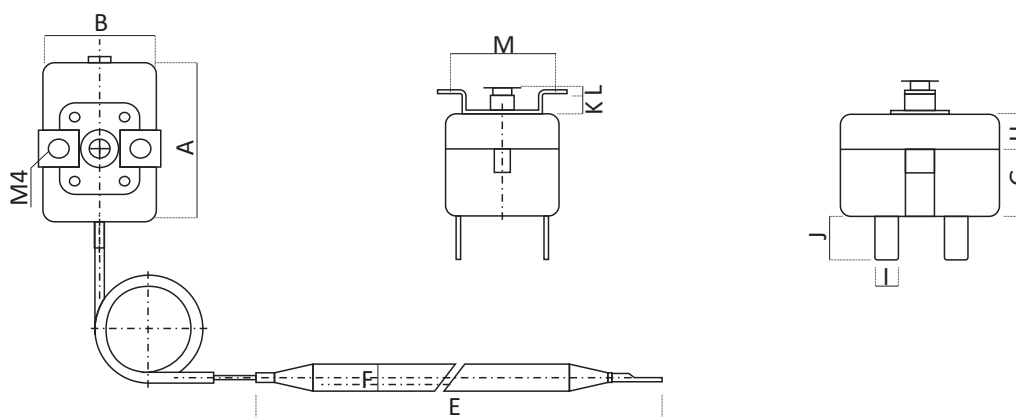
Dimensions in mm													
	A	B	C	D	E	F	G	H	I	J	K	L	M
TKR 200	44	32	M4	500-3000	75	6,5	17	11	6,3	10	7,5	1	28

Wiring diagram



Type	TKR 300
Regulatory range	0-90°C, other ranges on request
Setting accuracy	$\pm 3^\circ\text{C}$
Difference	$2\pm 1^\circ\text{C}$
Max. sensor temperature	120°C
Capillary length	500, 1000, 1500, 2000, 3000mm
Angular setting	270°C
Case	galvanized sheet / plastic
Sensor	copper
Capillary	copper with PVC protection
Contact load	16(4)A, 250V; 6(1)A, 400V

• Thermostat TKR300



Dimensions in mm													
	A	B	C	D	E	F	G	H	I	J	K	L	M
TKR 300	44	32	M4	500-3000	75	6,5	17	11	6,3	10	7,5	1	28

Wiring diagram:

