

CAPILLARY THERMAL FUSE series WPR 200, 200 B

manual reset



DESCRIPTION:

- design: manual reset
- capillary material: copper with PVC protection
 - sensor material: copper

TECHNICAL PARAMETERS:

- temperature range: 90-110°C
- setting accuracy: 0-6°C; $\pm 3^\circ\text{C}$
- switching difference: $20 \pm 5^\circ\text{C}$
- max. sensor temperature: 135°C
 - capillary length: 1500mm
- contact load: c-2: 16A 250V AC; 6A 400V AC
c-1: 4A 250V AC; 1A 400V AC

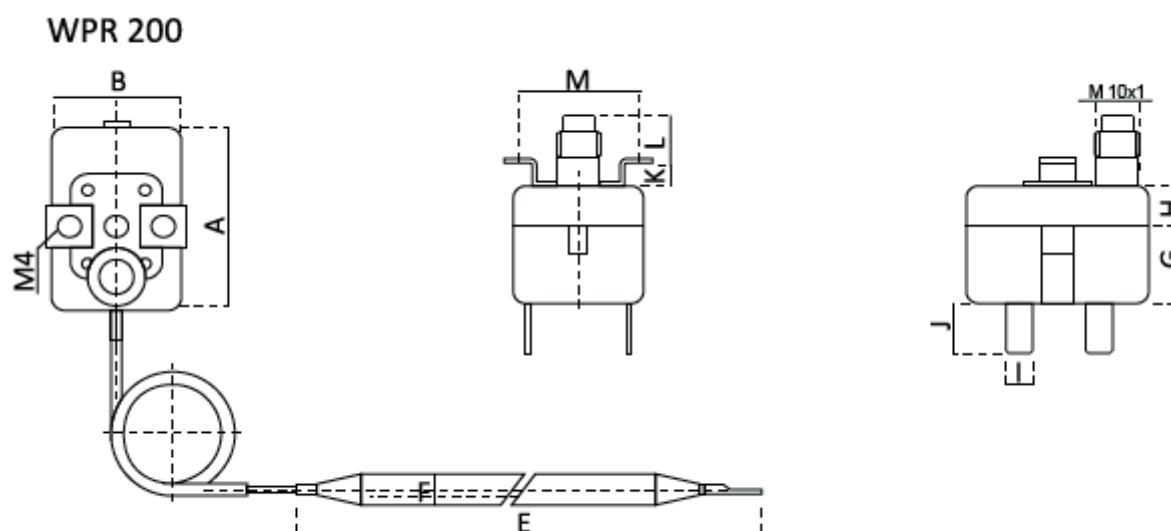
SPECIFICATION:

Capillary thermal fuses WPR 200, 200 B are used to protect the electrical circuit, in case of overload they automatically break the circuit. It thus protects the appliance from damage, especially in devices used for heating with electric alternating current (boilers, boilers and similar devices).

The fuses do not serve as a Power Button switch! For versions with switching contacts, the desired function can be selected: switching or opening.

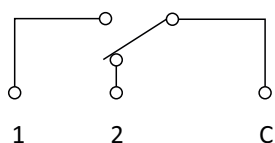
In addition, the fuses are supplied in a version with a fixed or adjustable temperature. WPR 200/200 B, are equipped with a manual reset, where reconnection is possible only mechanically by pressing the reset button.

Type	WPR 200 / WPR 200 B			
Regulatory range	100°C	110°C	70-90°C	90-110°C
Setting accuracy	±3°C			
Difference	20±5°C			
Max. sensor temperature	135°C			
Capillary length	1000mm			
Angular setting	fixed		120° temperature setting on dial	
Case	galvanized sheet / red plastic case WPR 200, grey plastic case WPR 200 B			
Sensor	copper			
Capillary	copper with PVC protection			
Contact load	c-2: 16A 250V AC; 6A 400V AC;		c-1: 4A 250V AC; 1A 400V AC	



Dimensions in mm												
A	B	C	D	E	F	G	H	I	J	K	M	
44	32	M4	1000±50	55±2	6,5±0,2	17	11	6,3	10	6±0,5	28	

Wiring diagram WPR 200



Wiring diagram WPR 200 B

