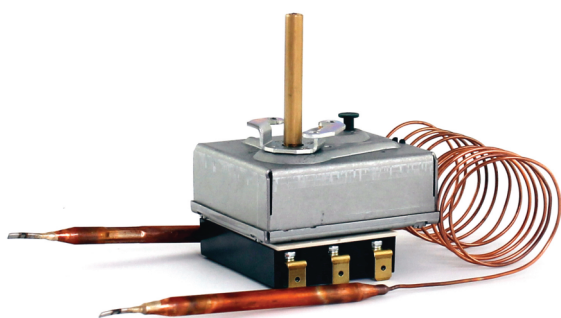


# THERMOSTAT COMBINED WITH A FUSE RAC

manual reset, three-phase  
load 20 (30)A/400V



## DESCRIPTION:

- design: three-phase, manual reset
- material of capillary/sensor: copper/stainless steel
  - membrane material: stainless steel
  - terminal: M4x8, FAST ON connector

## TECHNICAL PARAMETERS:

- setting range: 7-77, 30-85, 0-100, 0-300°C (TR)  
95, 100, 110, 330°C (STB)
- switching difference: -10, -12, -30°C (TR),  
-10, -30°C (STB)
- switching load: 20/30A, 400V
  - protection: IP 00

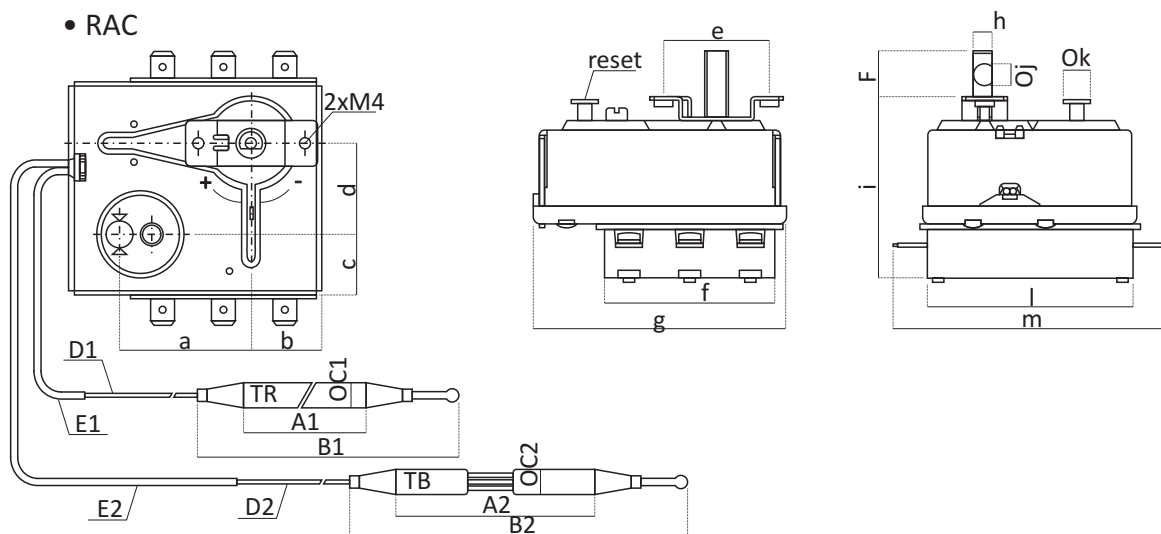
## SPECIFICATION:

Combined thermostat with a fuse series RAC automatically disconnects the electric circuit when reaching a preset temperature. In case of temperature drop it connects the circuit again and it systematically keeps the medium temperature by constant switching of positions on/off. If the temperature of temperature sensors environment reaches fixed switching value previously set by manufacturer, the electric circuit is disconnected, thereby the fuse protects the appliance from overheating.

These thermostats are used mainly for washing machines, industrial kitchen cookers, ovens, etc. Suitable for temperature control of liquid, gas and solid materials.

Type	RAC
Regulatory range (switching temp)	7-77, 30-85, 0-100, 0-300°C
Switching load	20/30A; 400V
Thermostat life-time	100.000 switches
Fuse life-time	500 switches
Contact protection	I. (grounding)
Protection	IP 00
Material of capillary and sensor	copper/stainless steel
Max. environment temperature	330°C
Max. sensor environment temp.	upper switching value +25%
Electric connection	FAST ON / screw M4x8, angular design 0°, 45°, 90°
Storing temperature	-25+60°C
Membrane material	stainless steel
Position of use	any

Setting range (°C)		Calibration tolerance (K)		Switching difference (K)		Max. temperature (°C)	
TR	STB	TR	STB	TR	STB	TR	STB
7-77	95	±3.2	0-6	-10	-10	115	130
30-85	100	±3.2	0-6	-10	-10	115	130
0-100	110	±3.5	0-6	-12	-10	125	140
0-300	330	±10	0-16	-30	-30	340	370



Dimensions in mm												
a	b	c	d	e	f	g	h	i	j	k	l	m
34,7	18,2	15,9	24	28	44,5	65,9	4,6	47,5	6	7	54	72

Wiring diagram

