

DESCRIPTION:

- design: contact, opened or covered regulation
- mounting: onto pipe
- output: contact switch on or switch off
- placement: common environment

TECHNICAL PARAMETERS:

- temperature range: 20-90°C (THP 90), 0-90°C (WTHP 90)
 - temperature difference: 8±3K
- contact load: 1-2=16(2,5)A/250V
1-3=2,5A/250V (THP90)
-1-2=16(4)A/250V, 1-3=6(1)A/400V (WTHP90)
- protection: IP 20 (THP 90), IP 40 (WTHP 90)

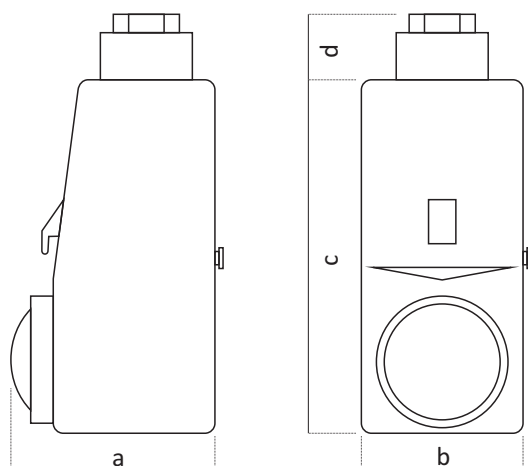
SPECIFICATION:

Contact cased thermostats are mainly used in applications, where the emphasis is put on visual aspect and easy control, or where it is convenient to prevent direct contact with the contacts. Main advantages of these thermostats are easy control, mounting and reliability.

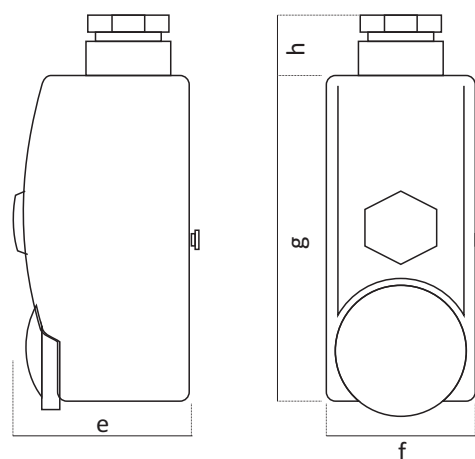
Widely used for switching of boiler circulation pump. Thermostats THP, WTHP feature change-over contact for connection and disconnection of electric circuit. While using thermostat THP it is possible to set the switching difference. Type THP is also supplied in design with covered regulation dedicated for protection against unintended contact or unprofessional manipulation. Thermostat series WTHP is due to its wider range suitable for applications, where it is necessary to regulate temperatures close to zero. For these purposes serves also the higher protection IP 40.

Type	THP-90	WTHP-90
Regulatory range	20-90°C	0-90°C
Temper. difference	8±3K adjustable	8±3K
Protection	IP 20	IP 40
Insulation class	I	I
Rate of temperature change	<1K/min	<1K/min
Max. upper environ. temp.	85°C	85°C
Storing temperature	15-60°C	15-60°C
Output	contact switch on/off	contact switch on/off
Contact load	1-2=16(2,5)A/250V~ 1-3=2,5A/250V~	1-2=16(4)A/250V~ 1-3=6(1)A/400V~
Installation placement	common environment	common environment
Fairlead	M20x1,5	M20x1,5
Mounting	onto pipe	onto pipe
Design	freely accessibly or covered regulation	freely accessibly or covered regulation

• THP-90



• WTHP-90



Dimensions in mm							
a	b	c	d	e	f	g	h
54	40	99	20	50	38	86	15

Wiring diagram

