

PRESSURE GAUGE VALVE

two-way, three-way
PN 250-630



DESCRIPTION:

- body material-brass 42 3223,
fireproof steel 15 028
stainless steel 17 027
austenit stainless steel 17 348/1.4571
- control knob material – heat-resistant plastic
 - connection material – carbon steel
 - bleeding hole
 - testing connection

APPLICATION:

- heating industry
- air-conditioning
 - gas industry
- power-engineering
- chemical industry
- food industry

TECHNICAL PARAMETERS:

- connection thread- M20x1,5, G1/2
 - PN 63MPa
 - T_{max} 525°C
- testing connection M20x1,5L (137517.B)

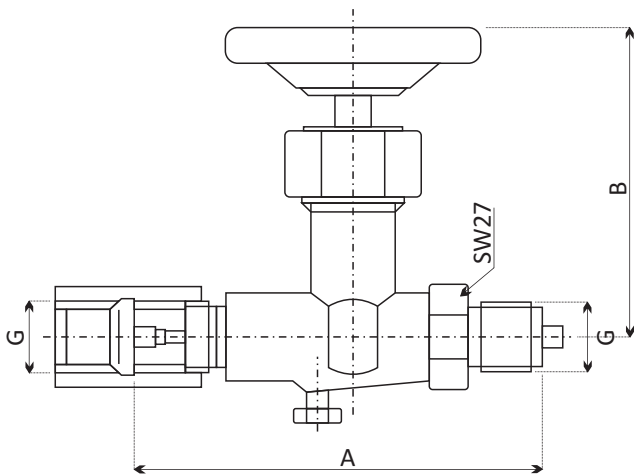
SPECIFICATION:

Pressure gauge pin valves with pipe connection are produced in accordance with ČSN 137517 and EN 837-2 standards. They are designed as a special regulatory armature for pressure gauges with flat sealing, for working pressures and temperatures mentioned in the table. Its use is limited in dependance on working liquid type, temperature and concentration.

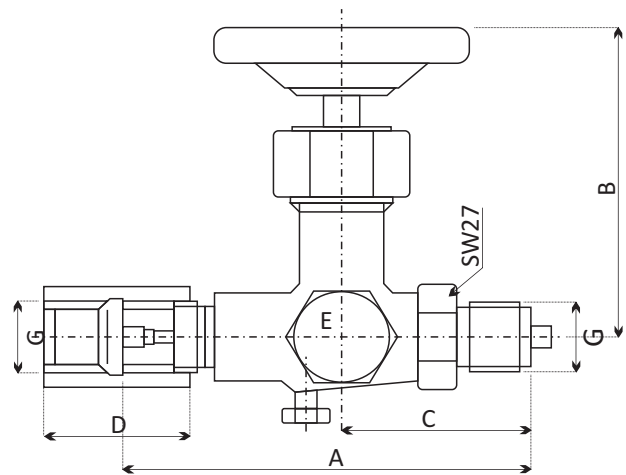
Forged unit with threaded pin on the inlet side, modified for flat sealing. On the outlet side it is equipped with a pipe connection for attachment of a pressure gauge. Three way valve is equipped with a side duct for connection of a control pressure gauge. It comes with a bleeding knob for pressure release after closing of the valve. Pressure gauge valve may be installed in any position.

Type	137517.A2	137517.A3	137517.A4	137517.A5	137517.B2	137517.B3	137517.B4	137517.B5
Design	two-way				three-way			
Thread	M20x1,5, G1/2							
Testing connection	bleeding hole				bleeding hole + testing connection M20x1,5L			
Body material (steel class)	15 128	17 027	17 348/ 1.4571	42 3223	15 128	17 027	17 348	42 3223
Connection material (steel class)	11 109	17 027	17 348/ 1.4571	11 109	15 128	17 027	17 348	11 109
Control knob material	heat-resistance plastic							
PN (MPa) accord. ČSN / DIN	63/40	63/40	63/40	25/25	63/40	63/40	63/40	25/25
T _{max} °C ČSN / DIN	525/120	300/200	500/200	200/120	525/120	300/200	500/200	200/120
Medium	liquids, vapour, technical gases							

- Two-way pressure gauge valve
ČSN 13 75 17.A



- Three-way pressure gauge valve
ČSN 13 75 17.B



Type	Dimensions in mm						kg
	G	A	B	C	D	E	
137517.A	M20x1,5, G1/2	100	85	-	36	M20x1,5L	0,32
137517.B	M20x1,5, G1/2	100	85	48	36	M20x1,5L	0,40