

CONDENSATION LOOP

ČSN 137530
PN 250



DESCRIPTION:

- design:
 - A - bent for pin
 - B - bent for welding
 - C - coiled for pin
 - D - coiled for welding
- material: structural carbon steel 11 523,
corrosion proof steel 17 027
individual
- installation: any position
- supplied with right-/left connection

APPLICATION:

- heating industry
- petrochemically industry
- power engineering

TECHNICAL PARAMETERS:

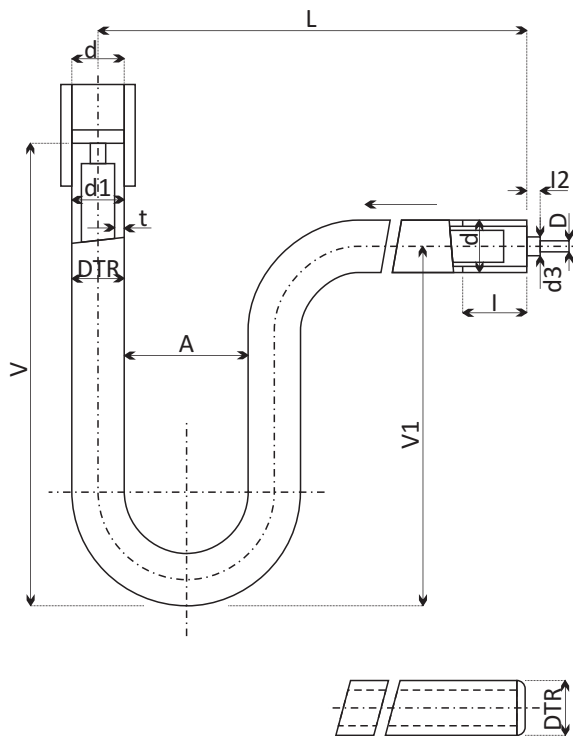
- connection thread - M20x1,5, G1/2
- T_{max} 300(400)°C
- PN 25MPa

SPECIFICATION:

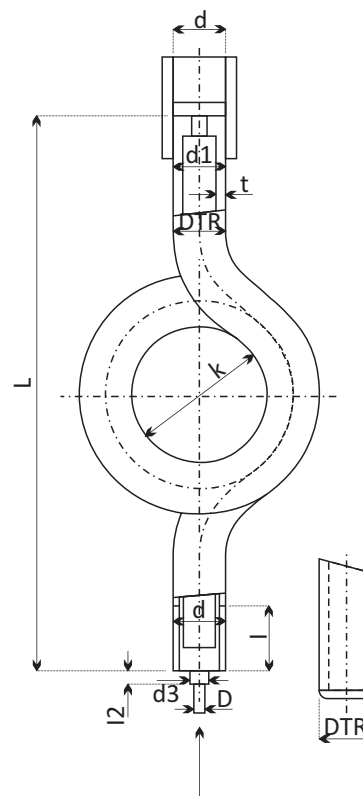
Condensation loops are produced in accordance with EN837-2 standards. Condensation loops are used for connection and protection of pressure gauges against harmful effects and high temperature of measured medium, for working pressures and temperatures. Supplied in versions bent for welding or pin or coiled for welding or pin. Design must be chosen according to position of installation and with regard to condensation needs. Material either carbon steel or stainless steel (17 027). They may be supplied in other materials, mainly made of other steel classes 11, 12, 15, steel PG, all on request. Condensation loops are tested according to ČSN 13 3060, part 2 only water testing for tightness impermeability.

Type	137530.A1	137530.A3	137530.B1	137530.B3	137530.C1	137530.C3	137530.D1	137530.D3
Design	bent				coiled			
Connection	threaded pin		welding		threaded pin		welding	
Thread	M20x1,5, G1/2							
Body material (steel class)	11 523	17 248/ 1.4541	11 523	17 248/ 1.4541	11 523	17 248/ 1.4541	11 523	17 248/ 1.4541
Connection material (steel class)	11 109	17 027	17 348/ 1.4571	11 109	15 128	17 027	17 348/ 1.4571	11 109
Materials on request	12 021, 12 040, 15 128, 17 027, 17 348/1.4571, P250GH							
PN (MPa)	25	25	25	25	25	25	25	25
T _{max} °C / (by PN 6,3)	300	300/400	300	300/400	300	300/400	300	300/400
Medium	liquids, vapour, technical gases							

- bent condensation loop
137530.A, B



- coiled condensation loop
137530.C, D



Dimensions in mm														
Type	d	d1	A	L	V	V1	k	l	l2	D	d3	t	DTR	kg
137530.A,B	M20x1,5, G1/2	M20x1,5L	45	225	170	130	-	22	5	3	6	2,5	20	0,65
137530.C,D	M20x1,5, G1/2	M20x1,5L	-	250	-	-	56	22	5	3	6	2,5	20	0,70