



## FLOWMETER LZB-VA/-FA

rate of flow:  
4 l/h - 16000 l/h liquid  
0,12 m<sup>3</sup>/h - 300 m<sup>3</sup>/h gas

### DESCRIPTION:

- case: surface-treated steel or stainless steel
- connection material: surface-treated steel or stainless steel
  - flowmeters core: silicate glass
  - sealing and other hydrophilic parts: teflon
  - installation: only vertical
- option of liquid(water) and gases (air) measuring
  - design: VA (threaded) or FA (flange)

### APPLICATION:

- power engineering
- food industry
- mechanical engineering
  - agriculture
  - automation
- petrochemical industry

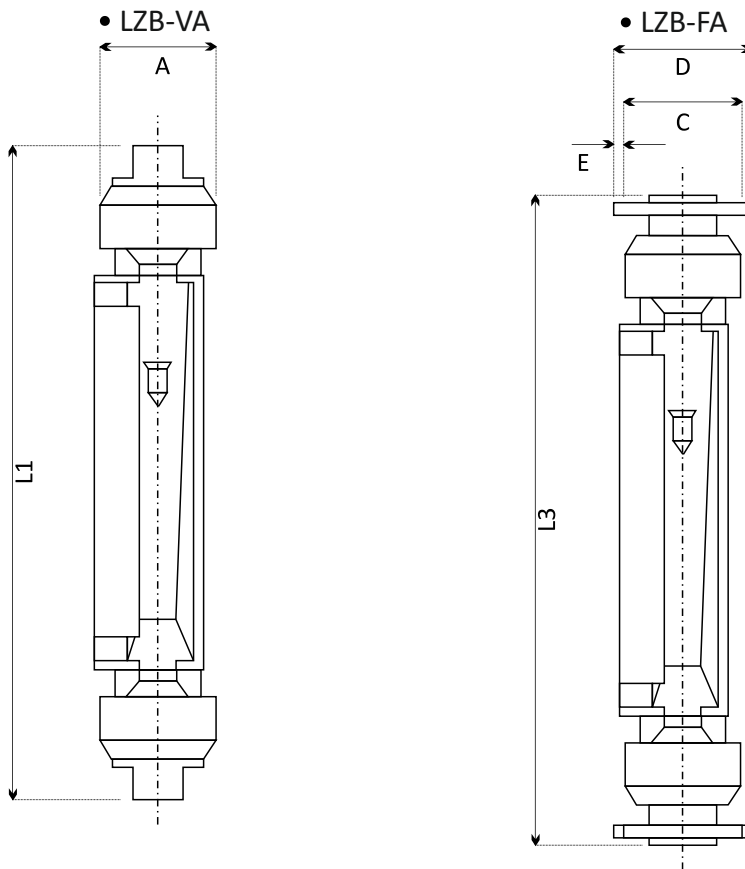
### TECHNICAL PARAMETERS:

- diameter: DN 15, 25, 40, 50 mm
- measuring range: 4 - 40l/h... 4000-16000 l/h (water)  
0,12-1,2m<sup>3</sup>/h ... 30-300m<sup>3</sup>/h (air)
  - T max: -20+200°C
  - PN: 0,7MPa; 0,9MPa, 1MPa
  - thread: G1/2, G1, G1 ½, G2"

### SPECIFICATION:

Float flowmeters LZB-VA/-FA in glass design are used for instantaneous flow measurements of aggressive liquids and gases. The core of this flowmeter is made of silicate glass, case is made of surface-treated steel or stainless steel. Other hydrophilic parts of the flowmeter are made of teflon. Such construction ensures corrosion resistance of this series. Flowmeters are suitable for measurements of various types of acids and alcalis, oxidants and other corrosive substances, such as chemicals, kerosene, fertilizers, etc. Vertical installation only.

DN	Type	Measuring ranges		Display length (mm)	Working temp. (°C)	Working press. (MPa)
		l/hour liquid H <sub>2</sub> O	m <sup>3</sup> /hour gas			
15	VA30S-15 FA30S-15	4-40; 6-60; 10-100; 16-160; 25-250; 40-400; 63-630	0,12-1,2; 0,3-3; 0,5-5; 0,8-8; 1,2-12	300	-20+200	1,0
			20-20			
25	VA30S-25 FA30S-25	63-630; 100-1000; 160-1600; 250-2500	2-20; 3-30			
			5-50; 8-80			
40	VA30S-40 FA30S-40	160-1600; 250-2500 400-4000	5-50			
			8-80; 12-120			
50	VA30S-50 FA30S-50	400-4000; 630-6300 1000-10000; 4000-16000	12-120; 20-200; 30-300	0,7		



DN	Threaded VA			Flange FA			
	L1	A	Thread	L3	D	C	E
15	344	38	G1/2	343	95	65	4x14
25	344	55	G1	343	115	85	4x14
40	370	70	G1 ½	370	145	110	4x18
50	380	90	G2	370	160	125	4x18