

HEATING ELEMENTS for ATEX

type RFA
threaded



DESCRIPTION:

- rods: AISI316 Ti, AISI 316 L, Incoloy 800
- flange : brass, stainless steel 17 34/1.4401
- Atex certification in accordance with ATEX94/9EC
 - case: from cast aluminium

APPLICATION:

- petrochemical industry
- mechanical engineering
 - power engineering
 - surface finishes

TECHNICAL PARAMETERS:

- power: 500, 1 000, 2000, 3000, 6 000, 9 000, 12 000, max. 18 000W
 - voltage: 48V - 690V
- connection: 1 1/4", 1 1/2", 2", 2 1/2"
 - power supply: 230/400V
 - protection: IP 65/IP 68
 - temperature class: T2÷T6
 - ambient temperature: -20/ +40°C
- max. surface temperature: T85÷400°C

SPECIFICATIONS:

The heating elements of the RFA series are characterized by more compact dimensions and are manufactured with nominally lower outputs than flanged heaters. The criteria for selection and evaluation of operating conditions are in any case the same as for flanged heaters, which guarantees that these products can be safely used in designated areas for direct or indirect heating of highly flammable substances (solvents) or highly explosive substances (LPG).

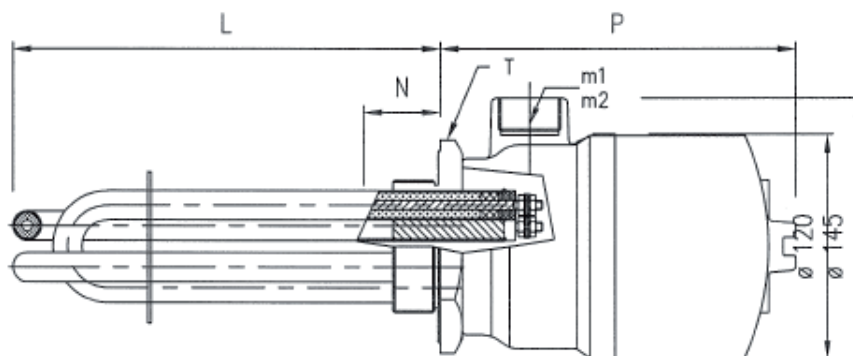
Depending on the requirements for use, threaded connections can be made of brass or stainless steel. In the menu, it is possible to choose heaters made of seamless stainless steel pipes: AISI316Ti, AISI 316L or material: Incoloy 800. The housing of the electrical terminal box is for easy installation of cabling and safety elements, or temperature sensors. It is made of cast aluminum divided into two half-shells.

Heating element RFA - threaded ATEX

TECHNICAL PARAMETERS:

Type	Power supply (V)	Power (W)	L (mm)	Flange	Material
RFA-0,50-11Q	230	500	280	1 1/4" 1 1/2" 2" 2 1/2"	Incoloy 800
RFA-6-16-B	3x230	6000	406		Incoloy 800
RFA-2-23-BNS	230	2000	590		Incoloy 800
RFA-111	230	1000	280		Incoloy 800
RFA-211	230	2000	280		Incoloy 800
RFA-311	3x230	3000	280		Incoloy 800
RFA-330	3x230	3000	762		Incoloy 800
RFA-616	3x400	6000	406		Incoloy 800
RFA-630	3x400	6000	762		Incoloy 800
RFA-916	3x400	9000	584		Incoloy 800
RFA-923	3x400	9000	584		Incoloy 800
RFA-926	3x400	9000	660		Incoloy 800
RFA-1223	3x400	12000	584		Incoloy 800
RFA-1233	3x400	12000	838		Incoloy 800

• RFA



SPECIFICATIONS:

T Connection thread 1 1/4", 1 1/2", 2", 2 1/2"

L Immersion length

N Non-heating section

C1-C2 Contact protection

S Distance template for fixing the position of the heating rods

M 1÷3 Grommet for cabling with internal thread