

CAPILLARY THERMOMETER 2440

diameter 63mm
back connection
capillary up to 7m



DESCRIPTION:

- stainless steel head 17 240/1.4301
- stainless steel head and sensor 17 248/1.4541
 - glass inspection hole
 - panel mounting onto yoke or front flange

APPLICATION:

- heating and sanitary industry
- heating management, power engineering
 - hydraulics

TECHNICAL PARAMETERS:

- case diameter: 63mm
- temperature ranges: -40+40, -20+60, 0-80, 0-120, 0-150, 0-200, 0-250, 0-300, 0-400, 0-500, 0-600°C
 - capillary length: 1; 1,5; 2; 3; 7m
 - accuracy class: 2,5%

SPECIFICATION:

Capillary thermometer 2440 is used for remote measuring in all industrial applications.

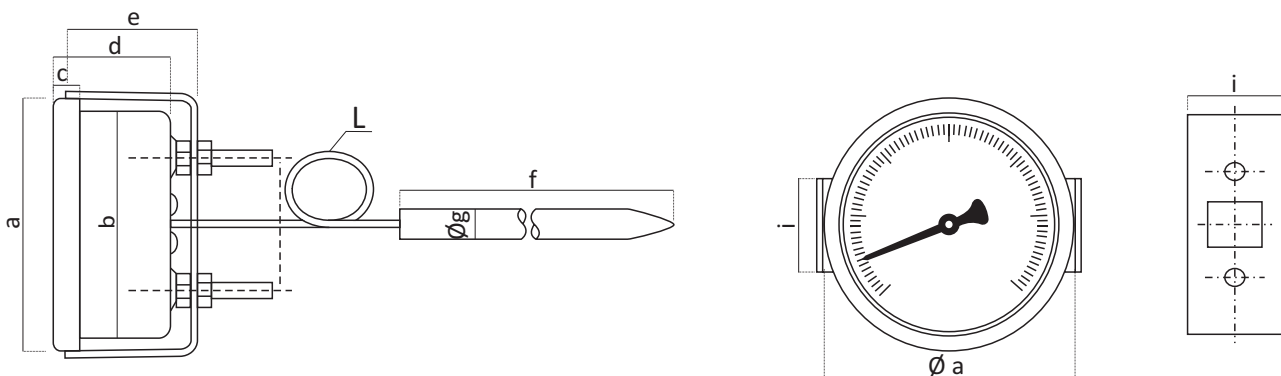
stainless steel cased head of the thermometer may be placed in simple environment according to ČSN 33 0300 in range -30+110 °C.

The allowed tolerance for all ranges is $\pm 2,5\%$ within all scale. In standard version the stainless steel capillary is supplied in lengths up to 7m, it is possible to order capillary in plastic braiding. Stainless steel sensor with 8mm diameter can be placed freely or in a thermometer well.

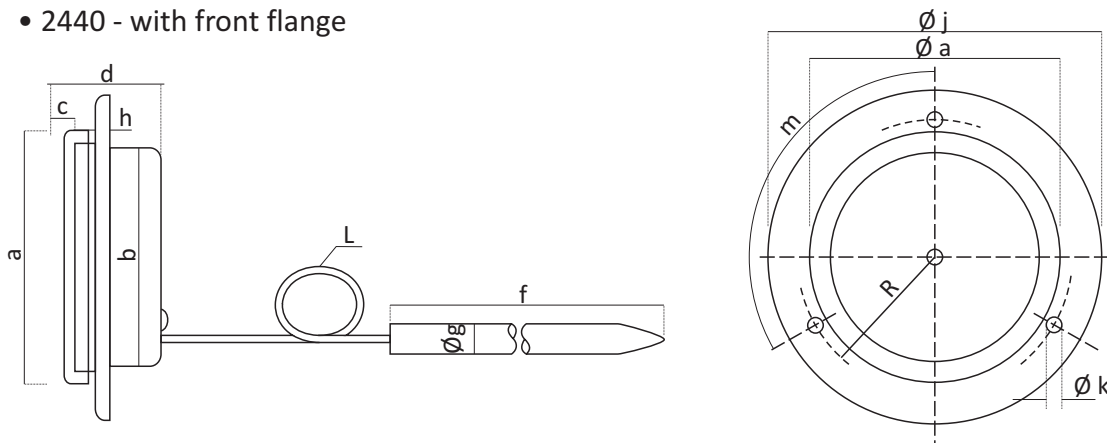
A well must be used if it is necessary to protect the sensor from high pressures or aggressive agents. Standard wells are available - steel PN6, stainless steel PN25 and PN40, then special wells for high parameters according to DIN or ON standards.

Type	2440
Diameter	63mm, back connection
Scale range	-40+40, -20+60, 0-80, 0-120, 0-150, 0-200, 0-250, 0-300, 0-400, 0-500, 0-600°C
Accuracy	2,5%
Pressure resistance	25bar
Design	stainless steel capillary, choice of plastic braiding
Sensor	stainless steel
Connection	eccentric back connection
Case	stainless steel, encased, panel mounting
Inspection hole	glass

- 2440 - with yoke



- 2440 - with front flange



Dimensions in mm

Type	a	b	c	d	e	f	g	h	i	j	k	L	m	R
2440	67	60	7	31	33,5	100	8	4	25	89	4,4	1;1,5;2;3;7	120°	36,8