



SHOCK RESISTANT PRESSURE GAUGE 301G/ 308G

diameters 40, 50mm
bottom, back connection
glycerine filling

DESCRIPTION:

- encased stainless steel case 17 240/1.4301
 - safety glass inspection hole, acrylate
 - connection 301GS, 308GS (bottom)
- 301GZ, 308GZ (back) CuZn and copper alloys
- measuring mechanism CuZn and copper alloys

APPLICATION:

- heating industry
- air-conditioning
 - hydraulics
- mechanical engineering
- petrochemical industry

TECHNICAL PARAMETERS:

- diameter: 40, 50mm
- measure ranges: 0- 60, 100, 160, 250, 400, 600kPa
0-1; 1,6; 2,5; 4; 6; 10; 16; 25; 40; 60; 100MPa
 - scale: Pa, bar, bar/psi, individual
- connection threads: G1/8, G1/4 (M12x1,5, NPT)
 - accuracy class: 2,5%
- design: pressure gauge, pressure-vacuum indicator, vacuum indicator

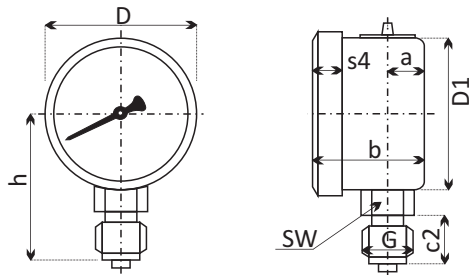
SPECIFICATION:

Shock resistant pressure gauges 301GS, 301GZ/308GS, 308GZ are produced according to standard EN837-1. Mainly used for simple pressure measurement of liquids, vapour and gases, that do not have a corrosive effect on copper alloys and its viscosity allows for measuring using bourdon pen mechanism.

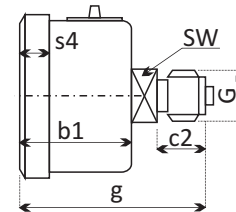
Shock resistant pressure gauges with water-tight case are designed into harsh conditions, where the pressure gauge is exposed to vibration, humidity and other complicating conditions. Resists vibration, shocks and pressure surges for which purpose they are equipped with pressure shock absorbers. Supplied with encased design case. Environment temperature -40 up to 60°C, medium temperature T_{max} 60°C. Other design options on request - special scale design, connection threads, max. pressure needle, etc.

Code	301G		308G	
Diameter	40mm		50mm	
Design (connection)	bottom	back	bottom	back
Accuracy class	2,5%		2,5%	
Range	0-100kPa...0-100MPa, vacuum and pressure			
Highest accuracy	constant pressure - 3/4 from all range, fluctuating pressure - 2/3 from all range			
Case	stainless steel 17 240/1.4301			
Ring	stainless steel 17 240/1.4301			
Inspection hole	plexiglass / glass			
Scale	white Al sheet with black print according to DIN 16 109			
Needle	black sprayed Al sheet			
Machine basis	CuZn - alloy			
Spring	Cu - alloy			
Connection	CuZn - alloy			
Thread	G1/8 (G 1/4, M12x1,5, NPT)		G1/4 (G 1/8, M12x1,5, NPT)	
Medium temper.	T _{max} 60°C			
Environment temp.	T _{min} -40°C, T _{max} 60°C			
Measuring depend. on temperature	0,3%/10K for deviations from normal temperature 20°C			
Weight approx.	0,07kg	0,07kg	0,07kg	0,09kg

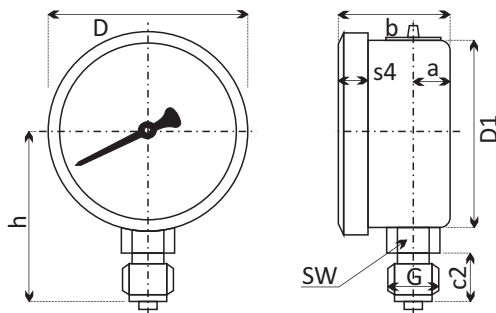
- 301GS - bottom connection



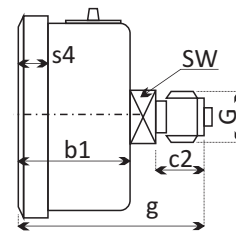
- 301GZ - back connection



- 308GS - bottom connection



- 308GZ - back connection



Dimensions in mm												
Type	Nom. size	a	b	b1	c2	D	D1	G	g	h	s4	SW
301G	40	8	25	26	10	47	41	G1/8	49	34	6	11
308G	50	10	29	31	13	58	52	G1/4	57	49	7	11