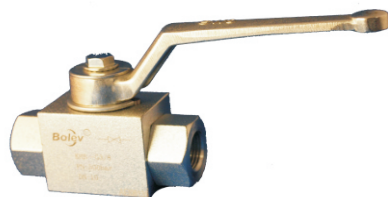


KHB-HYDRAULIC GLOBE COCK

two-way
PN 500



SPECIFICATION:

- 2-way hydraulic globe cocks are mainly used for hydraulic liquid distribution as a closing armature
- globe cock is made of steel or stainless steel
- globe made of nickel-plated steel or stainless steel

CODE:

KHB -- M27x1,5 -- 1 1 1 2 01 X -- *
 1 2 3 4 5 6 7 8 9

1. type designation KHB

2. connection code: Gxx (G thread),
xxLR (light), xxSR (heavy)

3. body material: 1-steel, 2-stainless steel

4. globe material: 1-steel, 2-brass, 3-stainless steel

5. operational temperature: -25+100°C; -30+170°C

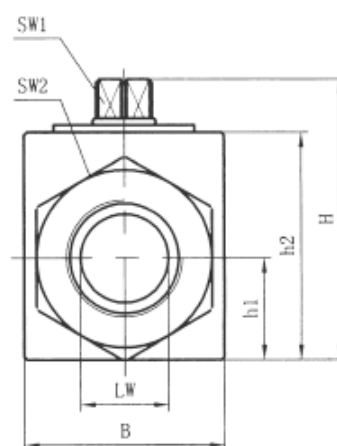
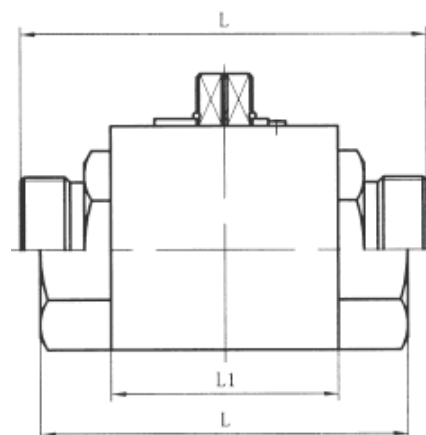
6. other sealing: 2-NBR, 4-FPM

7. handle type: 01-aluminium straight handle,
02-aluminium bent handle, 03-galvanised straight handle,
04-galvanized bent handle, 05-steel straight handle,
06-steel bent handle, 09-without handle

8. model number: stamped during production

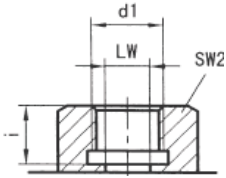
9. surface working: phosphor polish, galvanized

SYMBOL:

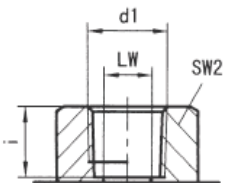


Dimensions:

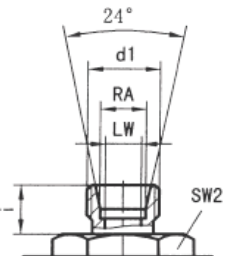
G/BSP



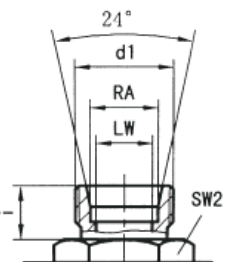
NPT



LR - light



SR - heavy



Type	PN(bar)	DN	LW	RA	d1	i	L	L1	B	H	h1	h2	SW1	SW2
KHB-G1/8	500	04	06	—	G1/8	10	69	40	26	45	13,5	33	09	22
KHB-G1/4	500	06	06	—	G1/4	14	69	40	26	45	13,5	33	09	22
KHB-G3/8	500	10	10	—	G3/8	14	72	42	32	49	16	36	09	27
KHB-G1/2	500	13	12	—	G1/2	16	83	48	35	49	17	40	09	30
KHB-G1/2	400	16	15	—	G1/2	16	83	48	38	61	19	45	09	32
KHB-G3/4	315	20	20	—	G3/4	18	95	60	48	70	25	55	12	41
KHB-G1	315	25	25	—	G1	21	113	65	57	79	28,5	64	12	50
KHB-G11/4	315	32	32	—	G11/4	22	110	84	75	101	37,5	84	14	60
KHB-G11/2	315	40	38	—	G11/2	24	130	91	85	112	42,5	95	14	70
KHB-G2	315	50	48	—	G2	26	140	100	105	131	52,5	112	14	80
Type	PN(bar)	DN	LW	RA	d1	i	L	L1	B	H	h1	h2	SW1	SW2
KHB-NPT1/8	500	04	06	—	NPT1/8	10	69	40	26	45	13,5	33	09	22
KHB-NPT1/4	500	06	06	—	NPT1/4	14	69	40	26	45	13,5	33	09	22
KHB-NPT3/8	500	10	10	—	NPT3/8	14	72	42	32	49	16	36	09	27
KHB-NPT1/2	500	13	12	—	NPT1/2	16	83	48	35	49	17	40	09	30
KHB-NPT1/2	400	16	15	—	NPT1/2	16	83	48	38	61	19	45	09	32
KHB-NPT3/4	315	20	20	—	NPT3/4	18	95	60	48	70	25	55	12	41
KHB-NPT1	315	25	25	—	NPT1	21	113	65	57	79	28,5	64	12	50
KHB-NPT11/4	315	32	32	—	NPT11/4	22	110	84	75	101	37,5	84	14	60
KHB-NPT11/2	315	40	38	—	NPT11/2	24	130	91	85	112	42,5	95	14	70
KHB-NPT2	315	50	48	—	NPT2	26	140	100	105	131	52,5	112	14	80
Type	PN(bar)	DN	LW	RA	d1	i	L	L1	B	H	h1	h2	SW1	SW2
KHB-06LR	500	04	04	06	M12x1,5	10	67	40	26	45	13,5	33	09	22
KHB-08LR	500	06	06	08	M14x1,5	10	67	40	26	45	13,5	33	09	22
KHB-10LR	500	08	08	10	M16x1,5	11	74	42	32	49	16	36	09	27
KHB-12LR	500	10	10	12	M18x1,5	11	74	42	32	49	16	36	09	27
KHB-15LR	500	13	12	15	M22x1,5	12	82	48	35	53	17	40	09	30
KHB-15LR	500	12	12	15	M22x1,5	12	82	48	38	61	19	45	09	32
KHB-18LR	500	13	12	18	M26x1,5	12	82	48	35	53	17	40	09	30
KHB-18LR	400	16	15	18	M26x1,5	12	82	48	38	61	19	45	09	32
KHB-22LR	315	20	19	22	M30x2	14	101	60	48	70	25	55	12	41
KHB-28LR	315	25	24	28	M36x2	14	108	65	57	79	28,5	64	12	50
KHB-35LR	315	32	30	35	M45x2	16	141	84	75	101	37,5	84	14	60
KHB-42LR	315	40	36	42	M52x2	16	162	91	85	112	42,5	95	14	70
Type	PN(bar)	DN	LW	RA	d1	i	L	L1	B	H	h1	h2	SW1	SW2
KHB-08SR	500	04	05	08	M16x1,5	12	73	40	26	45	13,5	33	09	22
KHB-10SR	500	06	06	10	M18x1,5	12	73	40	26	45	13,5	33	09	22
KHB-12SR	500	08	08	12	M20x1,5	12	76	42	32	49	16	36	09	27
KHB-14SR	500	10	10	14	M22x1,5	14	80	42	32	49	16	36	09	27
KHB-16SR	500	13	12	16	M24x1,5	14	86	48	35	53	17	40	09	30
KHB-16SR	500	12	12	16	M24x1,5	14	86	48	38	61	19	45	09	32
KHB-20SR	500	13	12	20	M30x2	16	90	48	35	53	17	40	09	30
KHB-20SR	400	16	15	20	M30x2	16	90	48	38	61	19	45	09	32
KHB-25SR	315	20	20	25	M36x2	18	109	60	48	70	25	55	12	41
KHB-30SR	315	25	25	30	M42x2	20	120	65	57	79	28,5	64	12	50
KHB-38SR	315	32	30	38	M52x2	22	153	84	75	101	37,5	84	14	60