

# KHB3K-HYDRAULIC GLOBE COCK

three-way  
PN 500



### SPECIFICATION:

- 3-way hydraulic globe cocks are mainly used for hydraulic liquid distribution as a regulatory armature
- globe cock is made of steel or stainless steel
- globe is made of nickel-plated steel or stainless steel
- design „L”-handle middle position „all closed”, handle manouvering range is 90°
- design „T”- handles middle position „all connected”, handle manouvering range is 180°

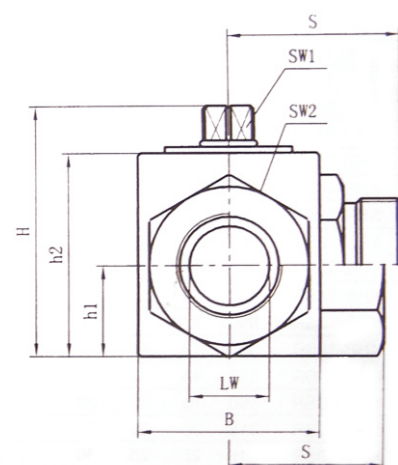
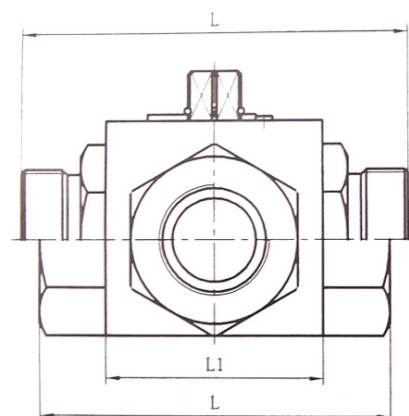
### CODE:

KHB3K -- M30x2 -- 1 1 1 2 01 X --    \*

1                    2                    3 4 5 6    7 8    9

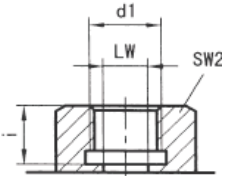
1. type designation KHB3K
2. connection code: Gxx (G thread), xxLR (light), xxSR (heavy)
3. body material: 1-steel, 2-stainless steel
4. globe material: 1-steel, 2-brass, 3-stainless steel
5. operational temperature: -25+100°C; -30+170°C
6. other sealing: 2-NBR, 4-FPM
7. handle type: 01-aluminium straight handle, 02-aluminium bent handle, 03-galvanised straight handle, 04-galvanized bent handle, 05-steel straight handle, 06-steel bent handle, 09-without handle
8. model number: stamped during production
9. surface working: phosphor polish, galvanized

### SYMBOL:

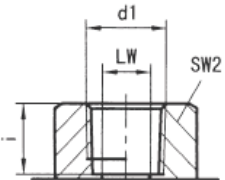


## Dimensions:

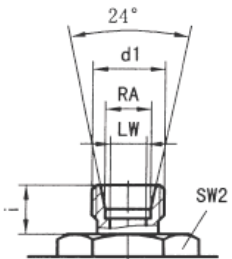
## G/BSP



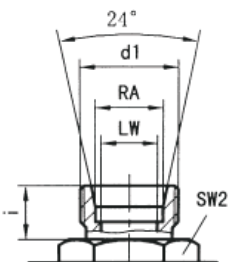
## NPT



## LR - light



## SR - heavy



Type	PN(bar)	DN	LW	RA	d1	i	L	L1	B	H	h1	h2	SW1	SW2	S
KHB3K-G1/8	500	04	06	-	G1/8	10	69	40	26	45	13,5	33	09	22	35
KHB3K-G1/4	500	06	06	-	G1/4	14	69	40	26	45	13,5	33	09	22	35
KHB3K-G3/8	500	10	10	-	G3/8	14	72	42	32	49	16	36	09	27	36
KHB3K-G1/2	500	13	12	-	G1/2	16	83	48	35	49	17	40	09	30	40
KHB3K-G1/2	400	16	15	-	G1/2	16	83	48	38	61	19	45	09	32	42
KHB3K-G3/4	315	20	20	-	G3/4	18	95	60	48	70	25	55	12	41	49
KHB3K-G1	315	25	25	-	G1	21	113	65	57	79	28,5	64	12	50	56,5
KHB3K-G11/4	315	32	32	-	G11/4	22	110	84	75	101	37,5	84	14	60	62,5
KHB3K-G11/2	315	40	38	-	G11/2	24	130	91	85	112	42,5	95	14	70	61
KHB3K-G2	315	50	48	-	G2	26	140	100	105	131	52,5	112	14	80	62,5
Type	PN(bar)	DN	LW	RA	d1	i	L	L1	B	H	h1	h2	SW1	SW2	S
KHB3K-NPT1/8	500	04	06	-	NPT1/8	10	69	40	26	45	13,5	33	09	22	35
KHB3K-NPT1/4	500	06	06	-	NPT1/4	14	69	40	26	45	13,5	33	09	22	35
KHB3K-NPT3/8	500	10	10	-	NPT3/8	14	72	42	32	49	16	36	09	27	36
KHB3K-NPT1/2	500	13	12	-	NPT1/2	16	83	48	35	49	17	40	09	30	40
KHB3K-NPT1/2	400	16	15	-	NPT1/2	16	83	48	38	61	19	45	09	32	42
KHB3K-NPT3/4	315	20	20	-	NPT3/4	18	95	60	48	70	25	55	12	41	49
KHB3K-NPT1	315	25	25	-	NPT1	21	113	65	57	79	28,5	64	12	50	56,5
KHB3K-NPT11/4	315	32	32	-	NPT1 1/4	22	110	84	75	101	37,5	84	14	60	62,5
KHB3K-NPT11/2	315	40	38	-	NPT1 1/2	24	130	91	85	112	42,5	95	14	70	61
KHB3K-NPT2	315	50	48	-	NPT2	26	140	100	105	131	52,5	112	14	80	62,5
Type	PN(bar)	DN	LW	RA	d1	i	L	L1	B	H	h1	h2	SW1	SW2	S
KHB3K-06LR	500	04	04	06	M12x1,5	10	67	40	26	45	13,5	33	09	22	33,5
KHB3K-08LR	500	06	06	08	M14x1,5	10	67	40	26	45	13,5	33	09	22	33,5
KHB3K-10LR	500	08	08	10	M16x1,5	11	74	42	32	49	16	36	09	27	37
KHB3K-12LR	500	10	10	12	M18x1,5	11	74	42	32	49	16	36	09	27	37
KHB3K-15LR	500	13	12	15	M22x1,5	12	82	48	35	53	17	40	09	30	40
KHB3K-15LR	500	12	12	15	M22x1,5	12	82	48	38	61	19	45	09	32	40
KHB3K-18LR	500	13	12	18	M26x1,5	12	82	48	35	53	17	40	09	30	42
KHB3K-18LR	400	16	15	18	M26x1,5	12	82	48	38	61	19	45	09	32	42
KHB3K-22LR	315	20	19	22	M30x2	14	101	60	48	70	25	55	12	41	52
KHB3K-28LR	315	25	24	28	M36x2	14	108	65	57	79	28,5	64	12	50	54
KHB3K-35LR	315	32	30	35	M45x2	16	141	84	75	101	37,5	84	14	60	66
KHB3K-42LR	315	40	36	42	M52x2	16	162	91	85	112	42,5	95	14	70	78
Type	PN(bar)	DN	LW	RA	d1	i	L	L1	B	H	h1	h2	SW1	SW2	S
KHB3K-08SR	500	04	05	08	M16x1,5	12	73	40	26	45	13,5	33	09	22	37
KHB3K-10SR	500	06	06	10	M18x1,5	12	73	40	26	45	13,5	33	09	22	37
KHB3K-12SR	500	08	08	12	M20x1,5	12	76	42	32	49	16	36	09	27	38
KHB3K-14SR	500	10	10	14	M22x1,5	14	80	42	32	49	16	36	09	27	40
KHB3K-16SR	500	13	12	16	M24x1,5	14	86	48	35	53	17	40	09	30	44
KHB3K-16SR	500	12	12	16	M24x1,5	14	86	48	38	61	19	45	09	32	43,5
KHB3K-20SR	500	13	12	20	M30x2	16	90	48	35	53	17	40	09	30	44
KHB3K-20SR	400	16	15	20	M30x2	16	90	48	38	61	19	45	09	32	45,5
KHB3K-25SR	315	20	20	25	M36x2	18	109	60	48	70	25	55	12	41	56
KHB3K-30SR	315	25	25	30	M42x2	20	120	65	57	79	28,5	64	12	50	60
KHB3K-38SR	315	32	30	38	M52x2	22	153	84	75	101	37,5	84	14	60	72