

THROTTLE VALVE STB



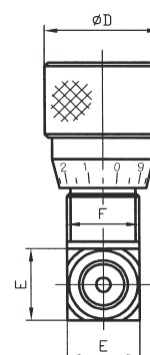
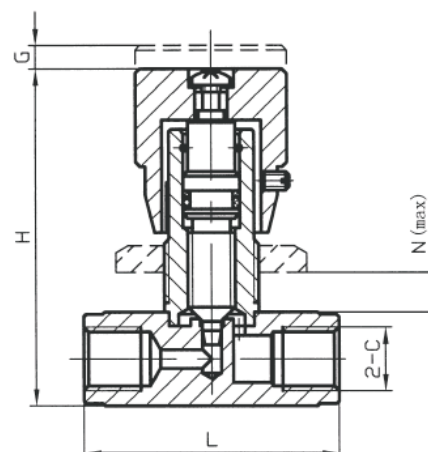
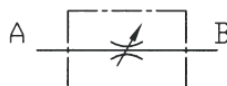
SPECIFICATION:

- throttle valves are used for flow regulation of various mediums
- its size is dependant on the flow, temperature and rate of flow

TECHNICAL PARAMETERS:

- max. pressure: 40MPa
- max. flow: 150l/min

SYMBOL:



Type	Dimensions (mm)								Max. pressure MPa	Max. flow l/min
	C	L	H	D	E	F*	G	N		
STB0400	1/4"	54	72	32	20	M20x1	5	7	50	20
STB0600	3/8"	62	80	32	25	M25x1,5	9	7	50	45
STB0800	1/2"	73	92	45	30	M30x1,5	9	9	50	80
STB1200	3/4"	84	100	45	40	M35x1,5	10	11	35	110
STB1600	1"	102	122	45	45	M40x1,5	12	15	30	150

