

# BUTTON VALVE DVGW - 28 DVGW-28A

G 1/4", 3/8", 1/2"



#### DESCRIPTION:

- body material- nicked brass
- button material- nicked brass
- closure material- nicked brass
- compression spring: SS DIN 17224
  - sealing: NBR O-ring
- connection: steel B16 DIN 7993 Zn

#### APPLICATION:

- air-conditioning
- power engineering
- petrochemical industry

#### TECHNICAL PARAMETERS:

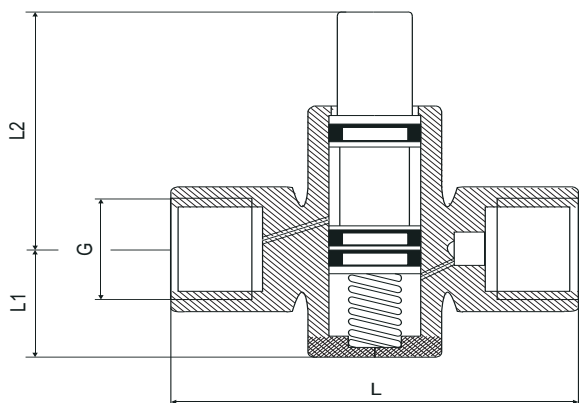
- connection thread: inner G1/2 (DVGW-28A),  
inner G1/4, 3/8, 1/2 (DVGW-28)
  - PN(pressure): 4 bar
- pressure check 0,5 - 10bar

#### SPECIFIKACE:

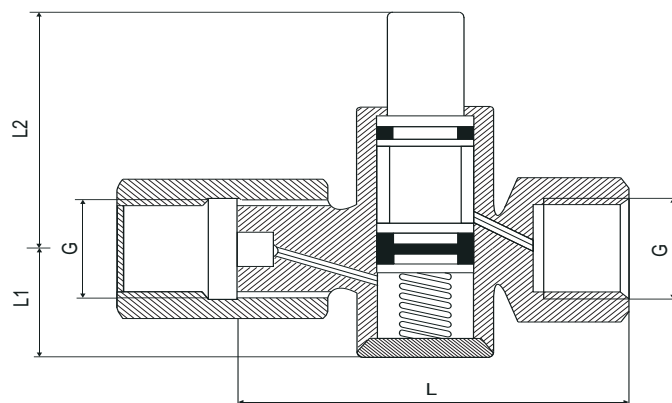
Button valves DVGW-28, DVGW-28A are designed as a special closing armature for pressure gauges measuring gas medium. Basic purpose is the pressure gauge function check and verification of the zero point. This allows replacement of the pressure gauge while the whole system is fully operational. Max. working temperature is 70°C. Button valves can be used for closing of air, gasses or gas fuels.

Type	DVGW-28	DVGW-28A
Connection - inlet, outlet	G 1/4, 3/8, 1/2	G 1/2
Nominal overpressure/bar	PN 4	
Pressure check	0,5 - 10bar	
Nominal diameter	DN 2	
Max. working temperature	70°C	
Medium	air, gases, gas fuels	

- Button valve DVGW-28



- Button valve DVGW-28A



Dimensions in mm					
Type	G	PN	L	L1	L2
DVGW 28	1/4	10	49	22	33
DVGW 28	3/8	10	49	22	33
DVGW 28	1/2	10	68	22,5	50
DVGW 28 A	1/2	10	65,5	22,5	50