

FLOWMETER LVB

vortex flowmeter
DN6...25, 0,5l-150l/min



DESCRIPTION:

- water volumetric flow meter
- working on the principle of vortex
 - for mounting into piping
 - any position of installation
 - low pressure lost
- the possibility of atypical version - clamp connection, high pressure version...

APPLICATION:

- petrochemical industry
- chemical industry
- food industry
- metallurgy

TECHNICAL PARAMETERS:

- DN: 6, 8, 10, 15, 20, 25
- measuring range from 0,5 l/min to 150 l/min
- measurement accuracy: 50...100%FS <2%; up to 50%FS <1%
 - PN: 12bar (+40°C), 6bar (+100°C)
- environment temperature: -15+85°C
 - case: PA6T/6I (40%GF)
 - sensor: ETFE
 - seal: EPDM
- output: analog (4-20mA) or pulse
 - IP 65

SPECIFICATION:

Basic series of flowmeters LVB offer compact, easy and affordable price solution for monitoring the flow or consumption.

Flowmeters are working on the principle of vortex, LVB series are using for measurement the flow of water and low viscous liquids. Flowmeters can be used for a wide range of media in the temperature range up to 125°C.

They can be used in petrochemical, chemical and food industry and also in metallurgy and scientific research for measurement and regulation.

It is possible to choose analog or pulse output.

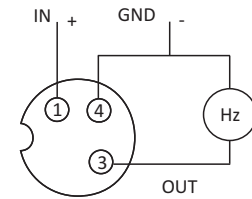
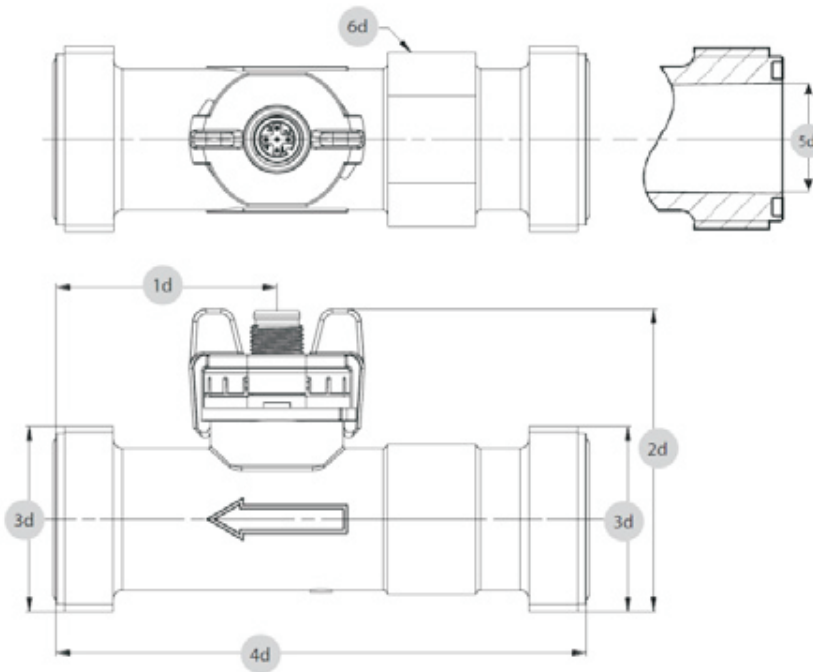
Analog output signal is standard 4-20mA.

Level of protection is IP 65.

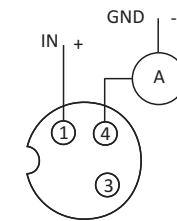
Type	Nom. size	Capacity	Output - analog or pulse	Volume	Pressure lost
LBV-06	DN 6	0,5...10l/min	4-20mA or 28...427 Hz	0,386ml	$(240 \cdot Q^2) / 100$
LBV-08	DN 8	0,9...15l/min	4-20mA or 30...384 Hz	0,638ml	$(85,0 \cdot Q^2) / 100$
LBV-10	DN 10	2,0...40l/min	4-20mA or 26...473 Hz	1,403ml	$(22,5 \cdot Q^2) / 100$
LBV-15	DN 15	3,5...50l/min	4-20mA or 20...272 Hz	3,047ml	$(6,70 \cdot Q^2) / 100$
LBV-20	DN 20	5,0...85l/min	4-20mA or 14...227 Hz	6,213ml	$(2,50 \cdot Q^2) / 100$
LBV-25	DN 25	9,0...150l/min	4-20mA or 12...201 Hz	12,412ml	$(0,92 \cdot Q^2) / 100$

Q = flow in l/min; example for LVB-06 at the flow rate 8l/min: $(240 \cdot 8^2) / 100 = 153,6\text{mbar}$

• LVB



Frequency output



Electric output

Pin	Color
1	brown
3	blue
4	black

Dimensions in mm							
Model	1d	2d	3d	4d	5d	6d	Weight
LBV-06	43,7	53,0	G1/2	77	12	12	47g
LBV-08	43,7	53,0	G1/2	77	12	12	47g
LBV-10	35,0	51,3	G1/2	81	12	19	57g
LBV-15	36,6	56,1	G3/4	87	16	22	68g
LBV-20	36,6	61,5	G1	105	20	27	92g
LBV-25	50,0	68,3	G1 1/4	120	26	34	100g