

## VH2V High pressure ball valve



### Specification:

Hydraulic two-way ball valves are used mainly for distribution of hydraulic liquids as a closing fitting. The ball valve is made of steel or stainless steel, the ball material is nickel-plated steel or stainless steel. Mounting onto the flange or by screws.

### Model code:

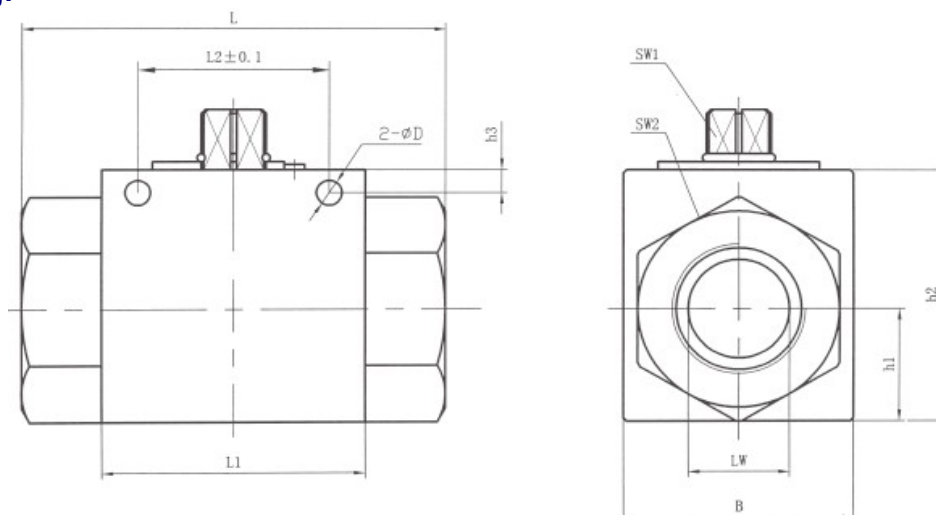
**VH2V -- M27x1,5 -- 1 1 1 2 01 X -- \***  
 1            2            3 4 5 6    7    8    9

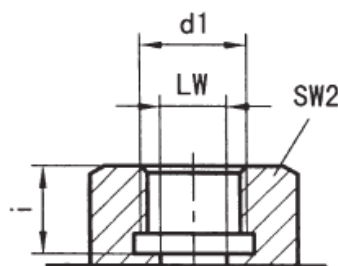
1. series code: VH2V
2. joint code: Gxx (G thread), xxLR (light, xxSR (heavy)
3. valve body material: 1-steel, 2-stainless steel
4. ball body material: 1-steel, 2-brass, 3-stainless steel
5. operating temperature: 1. -25~+100°C, 2. -30~+170°C
6. other airproof: 2-NBR, 4-FPM
7. handle type: 01-aluminium straight handle, 02-aluminium crooked handle, 03-zinc casting straight handle, 04-zinc casting crooked handle, 05-steel straight handle, 06-steel crooked handle, 09-without handle
8. design number: to be decided by the manufacturer
9. surface disposal: phosphoric polish, electroplated zinc

### Symbol:

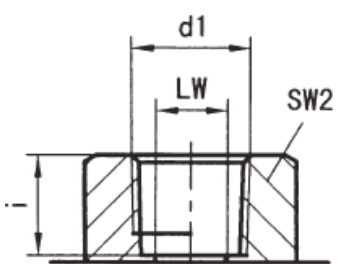


### Drawing:

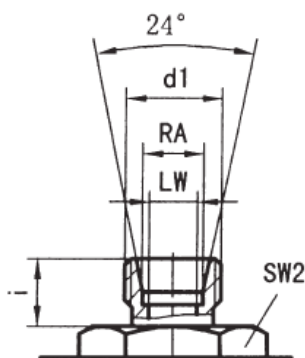



**Dimensions:**
**G/BSP**


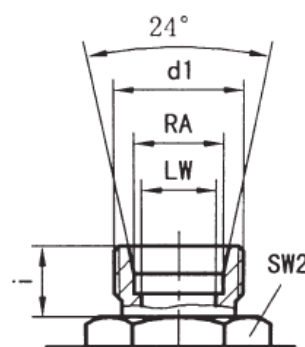
Type	PN(bar)	DN	LW	RA	d1	i	L	L1	B	L2	h1	h2	SW1	SW2	D	h3
VH2V-G1/4	500	06	06	/	G1/4	14	69	40	26	31,5	13,5	35	09	22	4,5	4,8
VH2V-G3/8	500	10	10	/	G3/8	14	72	42	32	31,5	16	40	09	27	5,3	5,8
VH2V-G1/2	500	13	12	/	G1/2	16	83	48	35	38,5	18	45	09	30	6,5	6
VH2V-G3/4	400	20	20	/	G3/4	18	93	60	50	48,5	23	58	12	41	6,5	6
VH2V-G1	350	25	25	/	G1	21	115	65	57	50,5	27,5	65	12	46	8,5	7

**NPT**


Type	PN(bar)	DN	LW	RA	d1	i	L	L1	B	L2	h1	h2	SW1	SW2	D	h3
VH2V-NPT1/4	500	06	06	/	NPT1/4	14	69	40	26	31,5	13,5	35	09	22	4,5	4,8
VH2V-NPT3/8	500	10	10	/	NPT3/8	14	72	42	32	31,5	16	40	09	27	5,3	5,8
VH2V-NPT1/2	500	13	12	/	NPT1/2	16	83	48	35	38,5	18	45	09	30	6,5	6
VH2V-NPT3/4	400	20	20	/	NPT3/4	18	95	60	50	48,5	23	58	12	41	6,5	6
VH2V-NPT1	350	25	23	/	NPT1	21	113	65	57	50,5	27,5	65	12	46	8,5	7

**LR – light**


Type	PN(bar)	DN	LW	RA	d1	i	L	L1	B	L2	h1	h2	SW1	SW2	D	h3
VH2V-08LR	500	06	06	08	M14x1,5	10	67	40	26	31,5	13,5	35	09	22	4,5	4,8
VH2V-12LR	500	10	10	12	M18x1,5	11	74	42	32	31,5	16	40	09	27	5,3	5,8
VH2V-15LR	500	13	12	15	M22x1,5	12	82	48	35	38,5	18	45	09	30	6,5	6
VH2V-18LR	500	13	12	18	M26x1,5	12	82	48	35	38,5	18	45	09	30	6,5	6
VH2V-22LR	400	20	19	22	M30x2	14	101	60	50	48,5	23	58	12	41	6,5	6
VH2V-28LR	350	25	24	28	M36x2	14	108	65	57	50,5	27,5	65	12	46	8,5	7

**SR – heavy**


Type	PN(bar)	DN	LW	RA	d1	i	L	L1	B	L2	h1	h2	SW1	SW2	D	h3
VH2V-10SR	500	06	06	10	M18x1,5	12	73	40	26	31,5	13,5	35	09	22	4,5	4,8
VH2V-14SR	500	10	10	14	M22x1,5	14	80	42	32	31,5	16	40	09	27	5,3	5,8
VH2V-16SR	500	13	12	16	M24x1,5	14	86	48	35	38,5	18	45	09	30	6,5	6
VH2V-20SR	500	13	12	20	M30x2	16	90	48	35	38,5	18	45	09	30	6,5	6
VH2V-25SR	400	20	20	25	M36x2	18	109	60	50	48,5	23	58	12	41	6,5	6
VH2V-30SR	350	25	25	30	M42x2	20	120	65	57	50,5	27,5	65	12	46	8,5	7