

BKH

Ball valve with SAE joint

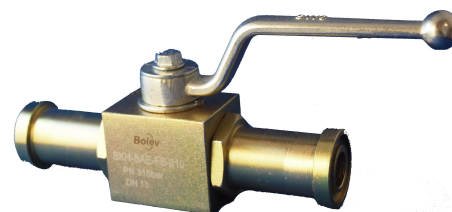
Specification:

Two-way ball valves with SAE J518C joint are mainly used for distribution of hydraulic liquids as a closing fitting. Ball valve material is steel, ball material is nickel-plated steel.

Model code:

BKH -- SAEFS -- * -- *
 1 2 3 4

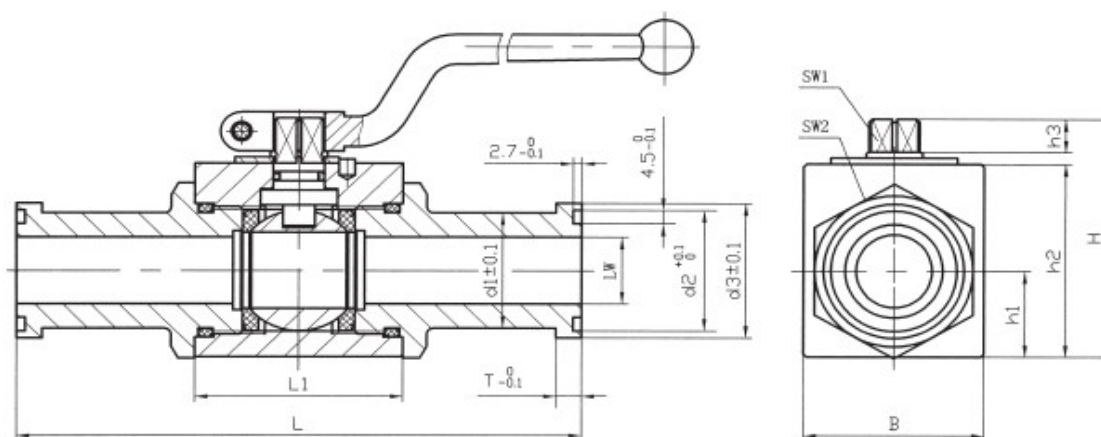
1. series code BKH – high pressure ball valve
2. joint: SAE J518C Standard
3. pressure grade: 210, 420 bar
4. nominal path: 13, 20, 25, 32, 40, 50 mm



Symbol:



Drawing:



Dimensions:

Type	PN	DN	LW	L	L1	B	H	h1	h2	h3	SW1	SW2	T	d1	d2	d3	O-ring
BKH-SAE-FS-210-13	210	13	13	151	47	35	49	18	38	10	09	30	6,8	24	25,5	30,2	18,6x3,5
BKH-SAE-FS-420-13	420	13	13	151	47	35	49	18	38	10	09	30	7,9	24	25,5	31,8	18,6x3,5
BKH-SAE-FS-210-20	210	20	19	162	60	48	70	25	55	11	12	41	6,8	31,7	31,9	38,1	25,3,5
BKH-SAE-FS-420-20	315	20	19	174	60	48	70	25	55	11	12	41	8,9	32	31,9	41,3	25x3,5
BKH-SAE-FS-210-25	210	25	25	178	65	57	79	28,5	64	11	12	50	8,1	38	39,8	44,4	32,9x3,5
BKH-SAE-FS-420-25	315	25	22	198	65	57	79	28,5	64	11	12	50	9,6	38	39,8	47,6	32,9x3,5
BKH-SAE-FS-210-32	210	32	30	191	84	75	101	37,5	84	12	14	60	8,1	43	44,6	50,8	37,7x3,5
BKH-SAE-FS-420-32	350	32	27	223	84	75	101	37,5	84	12	14	60	10,4	44	44,6	54	37,7x3,5
BKH-SAE-FS-210-40	210	40	36	231	91	85	112	42,5	95	12	14	70	8,1	50	54,1	60,3	47,2x3,5
BKH-SAE-FS-420-40	350	40	32	281	91	85	112	42,5	95	12	14	70	12,7	51	54,1	63,5	47,2x3,5
BKH-SAE-FS-210-50	210	50	48	232	100	104	131	62	112,5	12	14	90	9,6	62	63,6	71,4	56,7x3,5
BKH-SAE-FS-420-50	350	50	45	316	100	104	131	62	112,5	12	14	90	12,7	67	63,6	79,4	56,7x3,5