

KHBF(KHMF) Flange ball valve



Specification:

Flange ball valves are used mainly for distribution of hydraulic liquids as a closing fitting. The ball valve is made of steel, the ball is made of nickel-plated steel, flange connection.

Model code:

KHBF(KHMF) -- 016 -- PN040 -- 1 1 1 2 -- 02 X

1 2 3 4 5 6 7 8 9

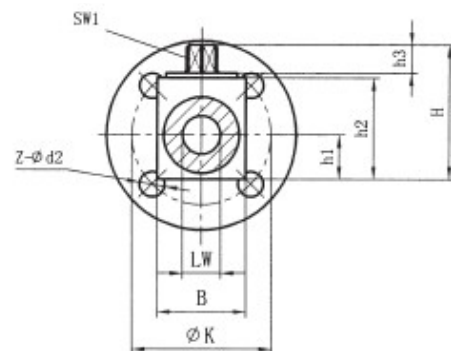
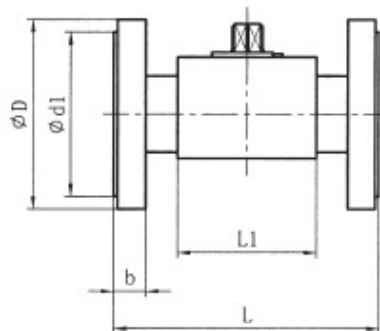
1. series code KHBF(KHMF) – flange ball valve type
2. nominal path: 16, 20, 25, 32, 40, 50 mm
3. working medium: 40, 63, 100, 160, 250, 315 bar
4. valve body material: 1-steel
5. ball body material: 1-steel
6. operating temperature 1. -25~+100 °C, 2. -30~+170 °C
7. other airproof: 2-NBR
8. handle type: 02-aluminium crooked handle, 06-steel crooked handle, 09-without handle
9. construction design: to be decided by the manufacturer

Symbol:

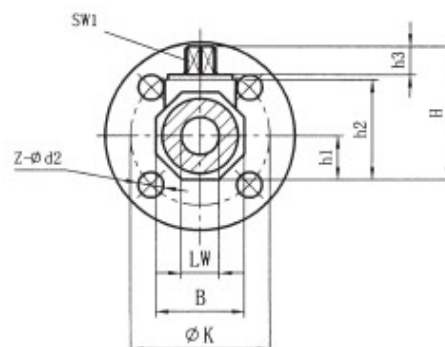
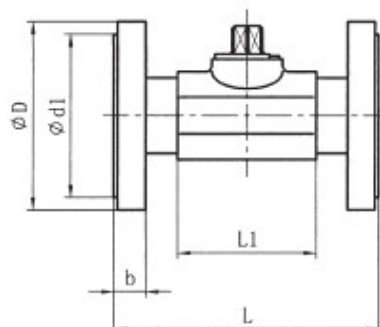


Drawing:

KHBF



KHMF



Dimensions:

Type	Range	DN	LW	L	L1	D	d1	d2	K	B	b	H	h1	h2	h3	SW1	Z
KHBF-016	10-40	16	15	130	48	95	45	14	65	38	16	62	19	45	11	9	4
KHBF-016	63-160					105		14	75		20						
KHBF-016	250-315					130		18	90		26						
KHBF-020	10-40	20	20	150	60	105	58	14	75	48	18	75	25	57	11	12	4
KHBF-025	10-40	25	25	160	65	115	68	14	85	57	18	82	28,5	64	11	12	4
KHBF-025	63-160					140		18	100		24						
KHBF-025	250					150		22	105		28						
KHBF-025	315					160		22	115		34						

Type	Range	DN	LW	L	L1	D	d1	d2	K	B	b	H	h1	h2	h3	SW1	Z
KHMF-032	10-40	32	30	180	84	140	78	18	100	75	18	103	37,5	84	12	14	4
KHMF-032	63-160					155		22	110		26						
KHMF-040	10-40	40	38	200	91	150	88	18	110	85	18	114	42,5	95	12	14	4
KHMF-040	63-160					170		22	125		28						
KHMF-040	250					185		26	135		34						
KHMF-040	315					195		26	145		38						
KHMF-050	10-40	50	48	230	100	165	102	18	125	105	20	131,5	52,5	112,5	12	14	4
KHMF-050	63					180		22	135		26						
KHMF-050	100-160					195		26	145		30						
KHMF-050	250					200		26	150		38						
KHMF-050	315					210		26	160		42						

Type	range	DN	LW	L	L1	D	d1	d2	K	B	b	H	h1	h2	h3	SW1	Z
KHMF-032	10-40	32	30	130	84	140	78	18	100	75	18	103	37,5	84	12	17	4
KHMF-040		40	38	140	91	150	88		110	85	18	114	42,5	95			
KHMF-050		50	48	150	100	165	102		125	105	20	131,5	52,5	112,5			