

KHP(PKH)

Two-way ball valve for manifold mounting

Specification:

Two-way ball valve for manifold mounting. Ball valve material is steel, ball material is nickel-plated steel.

Model code:

KHP(PKH) -- 10 -- 1 1 1 2 -- 01 X

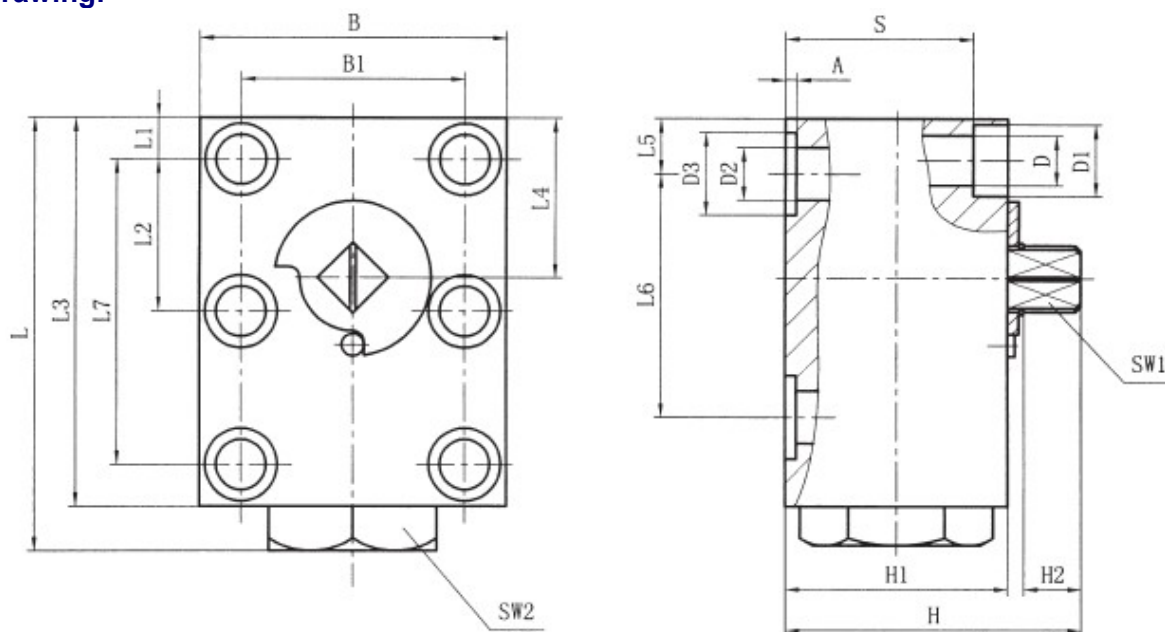
1 2 3 4 5 6 7 8

1. series code KHP(PKH) – two-way ball valve for manifold mounting
2. nominal path: 6, 10, 16, 20, 25, 32, 40, 50 mm
3. valve body material: 1-steel
4. ball body material: 1-steel, 2-brass
5. operating temperature 1. -25~+100 °C, 2. -30~+170 °C
6. otehr airproof: 2-NBR, 4-FPM
7. handle type: 02-aluminium crooked handle, 04-zinc casting crooked handle, 06-steel crooked handle, 09-without handle
8. Design number: to be decided by the manufacturer

Symbol:



Drawing:



Dimensions:

Type	PN	DN	LW	L	L1	L2	L3	L4	L5	L6	L7	B	B1
KHP-06	315	06	06	64	8,5	17,5	59	25	8,5	35	35	40	27
KHP-10	315	10	9,5	77	7,5	27,5	70	29	10	44	55	55	40
KHP-16	315	16	16	110	8,5	41,5	100	43	17	58	83	60	45
KHP-20	315	20	20	126	10	48,5	117	54	20	69	97	70	51
KHP-25	315	25	23,5	145	10	57,5	135	64,5	24	81	115	80	60
KHP-32	315	32	30	177	12	68	165	75,5	29	96	136	100	78
KHP-40	315	40	38	200	30	56	185	80	30	112	112	130	95
KHP-50	315	50	48	245	38	68	220	106	38	136	136	149	112

Type	SW1	SW2	H	H1	H2	D	D1	D2	D3	A	S	O-ring
KHP-06	09	22	37,5	30	7	6,6	11	6	11,7	1,6	23	8x2
KHP-10	09	30	58	40	8,5	9	13	9,5	15	2	31	10x2,6
KHP-16	09	41	72,5	52	11	9	13	16	25	2	43	20,29x2,62
KHP-20	12	41	88,5	60	11	10,5	16,5	20	30	2,5	50	23,39x3,53
KHP-25	12	46	97,5	65	11	10,5	17	23,5	35	2,5	55	28,17x3,53
KHP-32	14	55	118,5	80	12	13	19	30	40	2,5	67	32,92x3,53
KHP-40	14	65	118,5	93	12	17	25	38	48	3	77	42x3,5
KHP-50	14	/	129	110	12	22	33	48	55,4	2,9	88,5	49x3,5

Type	Inner hexagon screw thread	Torque Nm (rub coefficient $\mu=0,14$)
KHP-06	M6-10,9	13
KHP-10	M8-10,9	30
KHP-16	M8-12,9	35
KHP-20	M10-12,9	60
KHP-25	M10-12,9	60
KHP-32	M12-12,9	110
KHP-40	M16-12,9	300
KHP-50	M20-12,9	600