

## BEH-SAE, KHSAE210

### Flange ball valve – SAE

#### Specification:

Flange ball valve with SAE joint are used for distribution of hydraulic liquids as a closing fitting. Ball valve material is steel, ball material is nickel-plated steel. Mounting is done onto SAE flange or by screws.

#### Model code:

**BEH -- \*\* -- SAE**

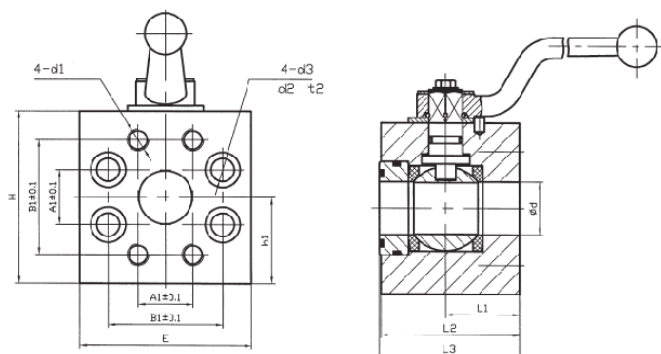
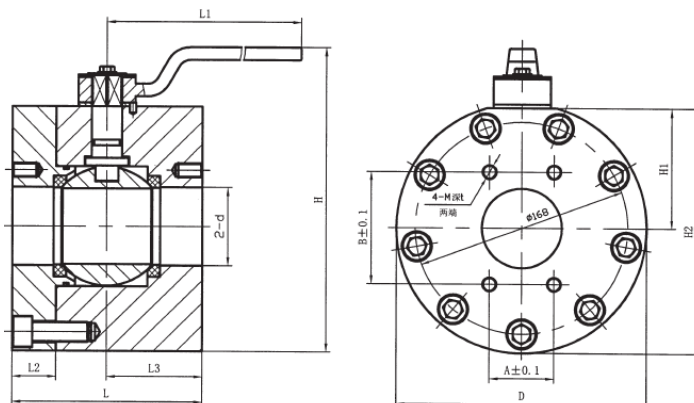
1      2      3

1. series code: BEH – highpressure ball valve
2. nominal pathální velikost: 32/40/50 mm
3. joint: SAE flange

#### Symbol:



#### Drawing:

**BEH-SAE**

**KHSAE210**


#### Dimensions:

Type	PN	d	A1	B1	H	h1	E	L1	L2	L3	d1	t1	d2	t2	d3
BEH-32-SAE	400	31	31,8	66,6	100	50	100	43,5	82	83	1/2"-13 UNC-2A	25	20,3	14	13,5
BEH-40-SAE	400	38	36,5	79,3	120	60	120	53,5	99	100	5/8"-11 UNC-2B	36	25,5	17	16,7
BEH-50-SAE	400	48	44,5	96,8	124	62	134	61	110	111	3/4"-10 UNC-2B	36	30,1	21	19,8

Type	PN	d	L1	L2	L3	L	H	H1	H2	A	B	D	M	t
KHSAE210-65	210	62	315	35	75	150	241	95	194	50,8	88,9	198	12	19
KHSAE210-80	210	74	315	40	80	160	252	100	205	61,9	106,4	210	16	2

