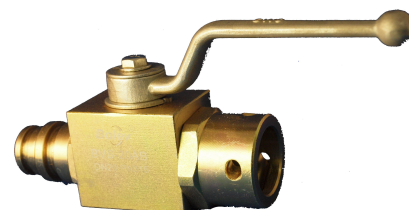


DKHB Mining ball valve

Specification:

Mining ball valves are mainly used for hydraulic liquid distribution as a closing element. Ball valve material is steel, ball material is nickel-plated steel mining connection.



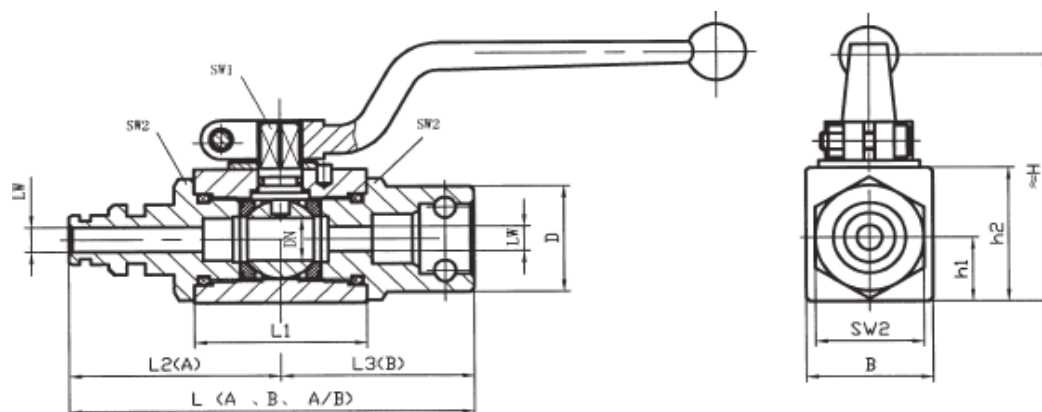
Model code: $\frac{**}{1} - \frac{**}{2}$

1. Left connection specification - A, B
2. Right connection specification -A, B

Symbol:



Drawing:



Dimensions:

Type	PN	DN	LW	L	L1	L2	L3	B	H	h1	h2	SW1	SW2	D
6A	500	06	04	109	40	54,5	—	26	45	13,5	33	09	24	24
10A	500	13	07	116	47	58	—	35	49	18	38	09	30	30
12A	500	16	10	116	48	58	—	38	61	19	45	09	35	35
20A	315	20	16	131	60	65,5	—	48	70	25	55	12	41	41
25A	315	25	20	151	65	75,5	—	57	79	28,5	64	12	53	53
32A	315	32	25	178	84	89	—	75	101	37,5	84	14	60	60
6A-6B	500	06	04	104	40	54,5	49,5	26	45	13,5	33	09	24	24
10A-10B	500	13	07	111	47	58	53	35	49	18	38	09	30	30
12A-12B	500	16	10	112	48	58	54	38	61	19	45	09	35	35
20A-20B	315	20	16	125	60	65,5	59,5	48	70	25	55	12	41	41
25A-25B	315	25	20	144	65	75,5	68,5	57	79	28,5	64	12	53	53
32A-32B	315	32	25	167	84	89	78	75	101	37,5	84	14	60	60
6B	500	06	04	99	40	—	49,5	26	45	13,5	33	09	24	24
10B	500	13	07	106	47	—	53	35	49	18	38	09	30	30
12B	500	16	10	108	48	—	54	38	61	19	45	09	35	35
20B	315	20	16	119	60	—	59,5	48	70	25	55	12	41	41
25B	315	25	20	137	65	—	68,5	57	79	28,5	64	12	53	53
32B	315	32	25	156	84	—	78	75	101	37,5	84	14	60	60