

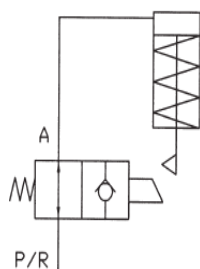
KP-XC13

Spring ball valve

Specification:

Spring ball valves are mainly used for hydraulic liquid distribution as a closing element. Opened as long as the handle is held, after releasing the handle the system will be automatically closed.

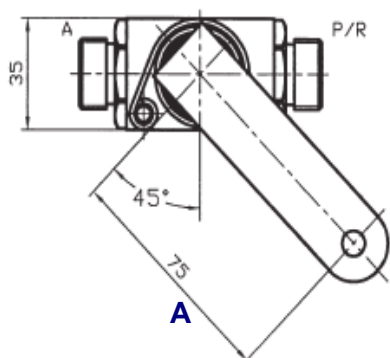
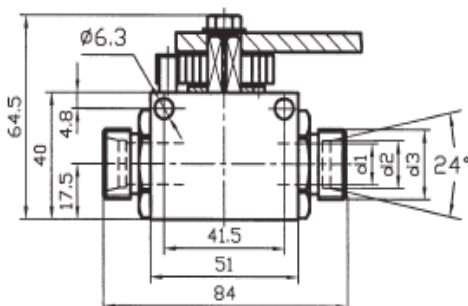
Symbol:



Drawing:

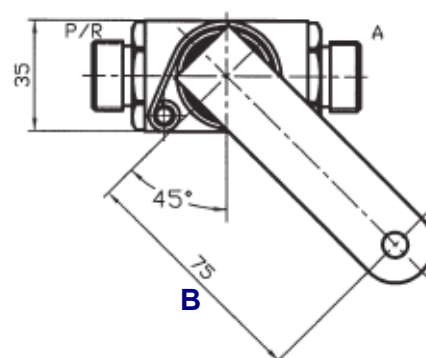
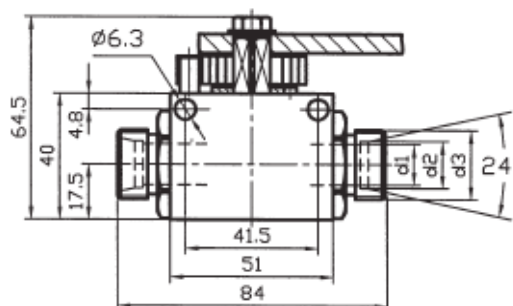
KP-XC13-12LR-A

KP-XC13-15LR-A



KP-XC13-12LR-B

KP-XC13-15LR-B



Dimensions:

Type	PN	d1	D2	d3
KP-XC13-12LR-*	400	10	12	M18x1,5
KP-XC13-15LR-*	400	13	15	M22x1,5