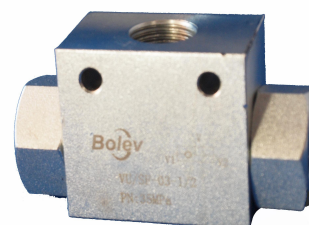
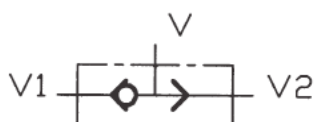


VU/SF Shuttle valve

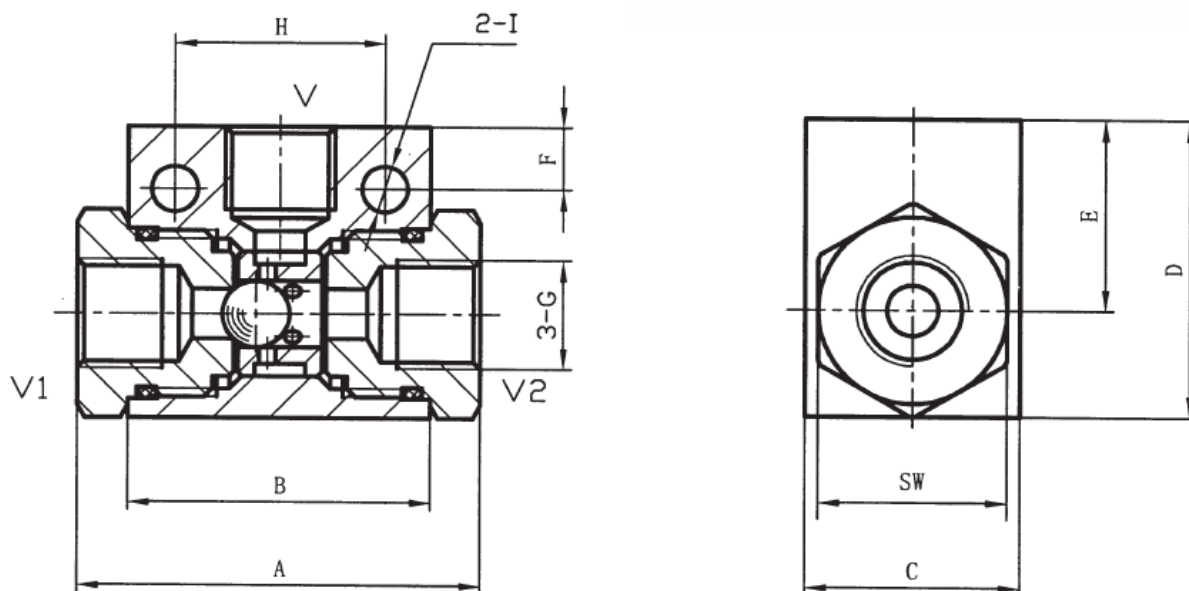
Specification:

Shuttle valve chooses the higher pressure from two pressure branches of a manifold.

Symbol:



Drawing:



Dimensions:

Type	A	B	C	D	E	F	G	H	I	SW	
VU/SF-01-1/4	48	36	25	35	22,5	7,5	G1/4	NPT1/4	25	5,5	22
VU/SF-02-3/8	59	45	30	45	30	8	G3/8	NPT3/8	29	6,5	27
VU/SF-03-1/2	90	57	35	50	32,5	8,5	G1/2	NPT1/2	36	6,5	32
VU/SF-04-3/4	113	62	45	60	37	6,5	G3/4	NPT3/4	50	8,5	41
VU/SF-05-1	120	80	50	80	54,5	11	G1	NPT1	60	10,5	46

Technical parameters:

Type	VU/SF-01-1/4	VU/SF-02-3/8	VU/SF-03-1/2	VU/SF-04-3/4	VU/SF-05-1
Max. pressure (MPa)	50	50	50	35	30
Max. flow (l/min)	20	45	80	110	150