

STU Throttle check valve

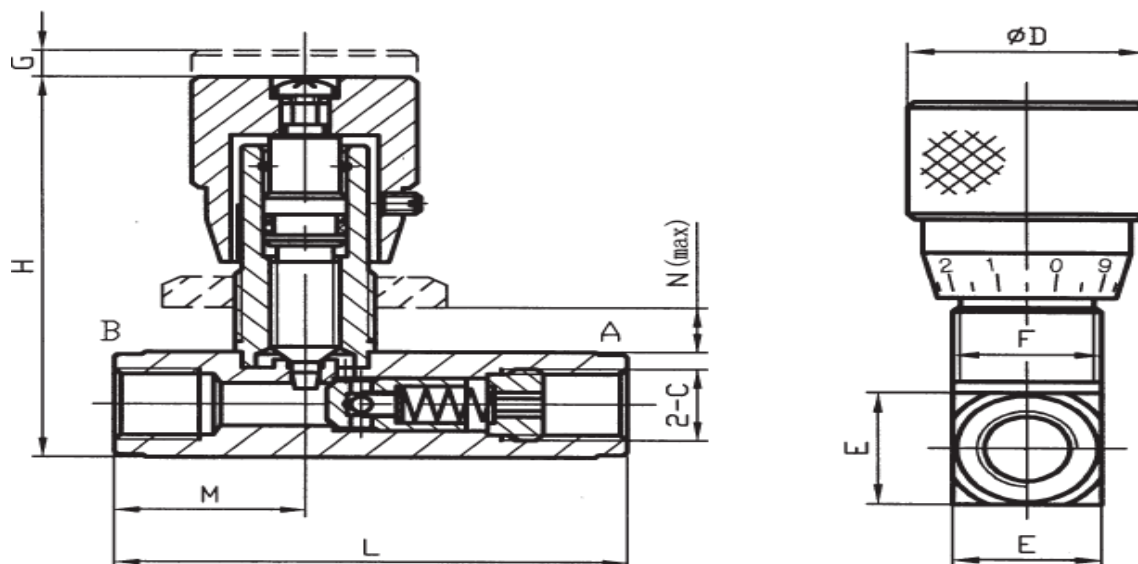
Specification:

Throttle check valves are used for flow regulation. Throttling size is dependent on flow, temperature and rate of flow.

Symbol:



Drawing:



Dimensions:

Type	C	L	H	D	E	F*	G	M	N
STU0400	G1/4 NPT1/4	73	72	32	20	M20x1	5	27	7S
STU0600	G3/8 NPT3/8	82	80	32	25	M25x1,5	9	31	7
STU0800	G1/2 NPT1/2	98	92	45	30	M30x1,5	9	36,5	9
STU1200	G3/4 NPT3/4	112	100	45	40	M35x1,5	10	42	11
STU1600	G1 NPT1	142	122	45	45	M40x1,5	12	51	15

Technical parameters:

Type	STU0400	STU0600	STU0800	STU1200	STU1600
Max. pressure (MPa)	40	40	40	40	32
Max. flow (l/min)	12	30	50	85	150