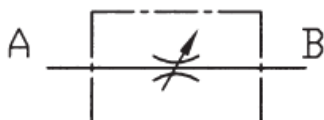


STB Throttle valve

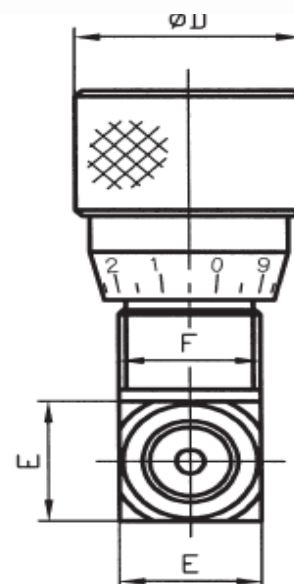
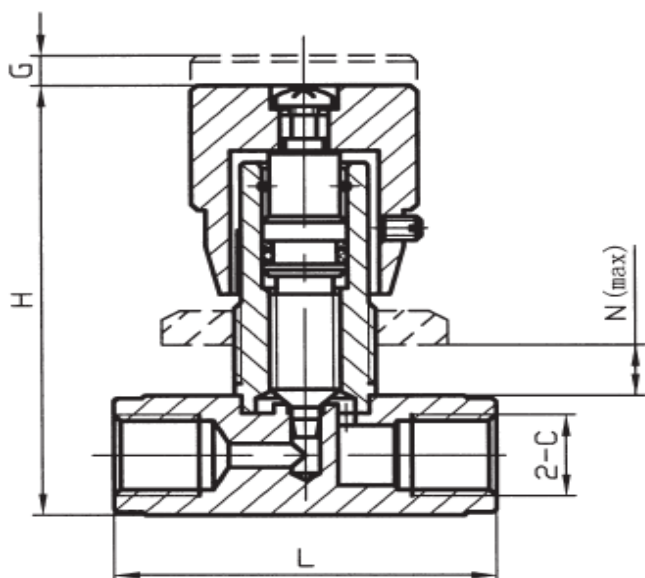
Specification:

Throttle check valves are used for flow regulation. Throttling size is dependent on flow, temperature and rate of flow.

Symbol:



Drawing:



Dimensions:

Type	C	L	H	D	E	F*	G	N
STB0400	G1/4 NPT1/4	54	72	32	20	M20x1	5	7
STB0600	G3/8 NPT3/8	62	80	32	25	M25x1,5	9	7
STB0800	G1/2 NPT1/2	73	92	45	30	M30x1,5	9	9
STB1200	G3/4 NPT3/4	84	100	45	40	M35x1,5	10	11
STB1600	G1 NPT1/2	102	122	45	45	M40x1,5	12	15

Technical parameters:

Type	STB0400	STB0600	STB0800	STB1200	STB1600
Max. pressure (MPa)	40	40	40	40	32
Max. flow (l/min)	12	30	50	85	150