

DIGITAL THERMOSTAT

series THDK, THDP, THDS

capillary, surface-mounting,
immersion



DESCRIPTION:

- design: capillary, surface-mounting, immersion
 - mounting: according to the model
 - placement: common environment

TECHNICAL PARAMETERS:

- temperature range: 5-90°C (THDK), 5-80°C (THDP, THDS)
 - temperature difference: $\pm 1,5^{\circ}\text{C}$
 - contact load: 10(1,5)A/250V
 - case: plastic
 - protection: IP 40

APPLICATIONS:

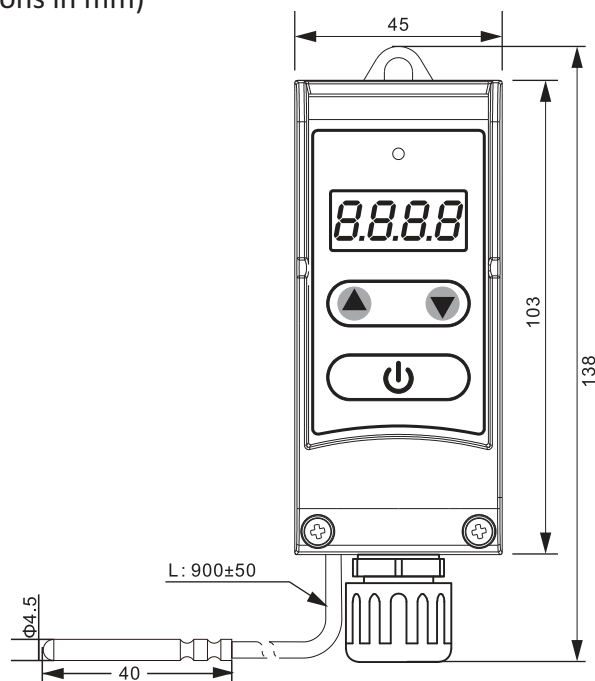
- power engineering
 - hydraulics
- heating industry

SPECIFICATIONS:

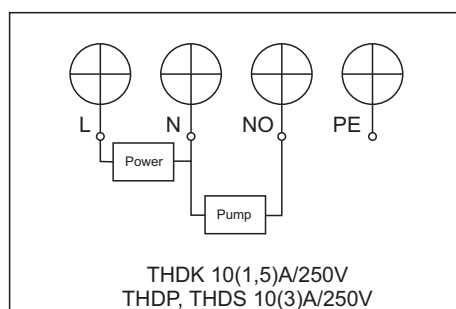
Digital thermostats are most often used in applications where the emphasis is on appearance and simple operation, or where it is advisable to avoid direct contact with the contacts. The main advantages include simple operation, assembly and reliability. They are most often used for sensing the temperature of water in domestic hot water tanks or in heating systems. Thermostats THDK (capillary), THDP (touch), THDS (stem) are equipped with the function of setting the switching difference and the function of switching the opening / switching mode (heating / cooling). Due to their wider regulation range, thermostats are also suitable for applications where it is necessary to regulate temperatures close to zero. The higher IP 40 protection is also an advantage.

Type	THDK	THDP	THDS
Design	capillary	surface-mounting	immersion
Temperature range	5-90°C	5-80°C	
Temp. difference	0,1-15°C (adjustable)		
Accuracy class	±1,5°C		
Protection	IP 40		
Max. sensor temp.	100°C		
Max. case temp.	80°C		
Case material	plastic		
Power	250V AC / 10(1,5)A		
Capillary lengths	0,9 m, Ø 6 mm	-	
Stem length	-		stem 45 mm, thread G1/2"
Type of control	manual thermostat		
Placement	common environment		
Function ON/OFF	YES		
Storage temp.	15-60°C		
Case color	white		

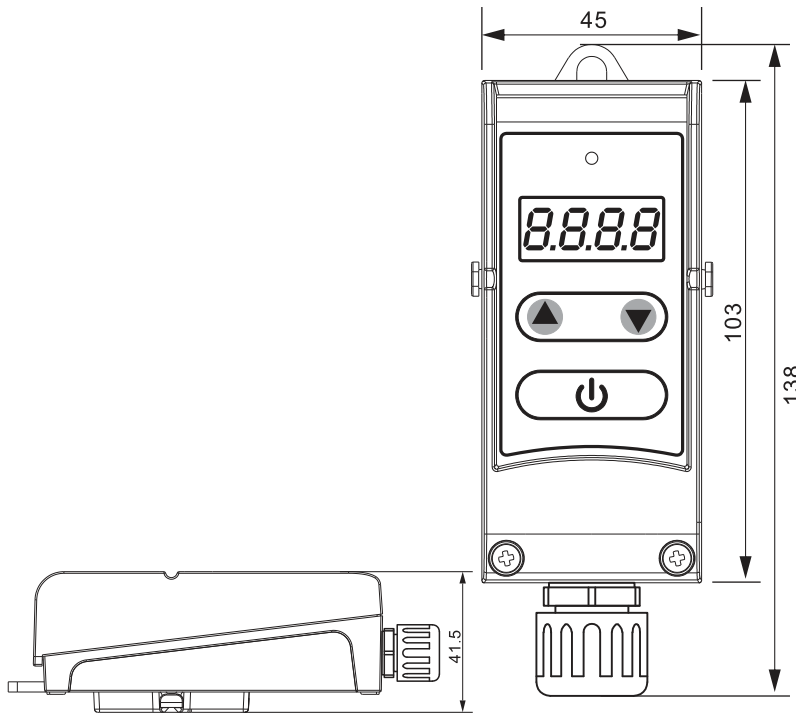
- THDK (dimensions in mm)



Wiring diagram



- THDP (diemnsions in mm)



- THDS (diemnsions in mm)

