

## CAPILLARY THERMAL FUSE series WPR 100

automatic reset



### DESCRIPTION:

- design: automatic reset WPR 100
- capillary material: copper with PVC protection
  - sensor material: copper

### TECHNICAL PARAMETERS:

- temperature range: 100, 90-110°C (WPR 100)
  - setting accuracy: 0-6°C;  $\pm 3^\circ\text{C}$
  - switching difference:  $20 \pm 5^\circ\text{C}$
- max. sensor temperature: 135°C
  - capillary length: 1500mm
- contact load: c-2: 16A, 250V AC; 6A, 400V AC  
c-1: 4A 250V AC; 1A 400V AC

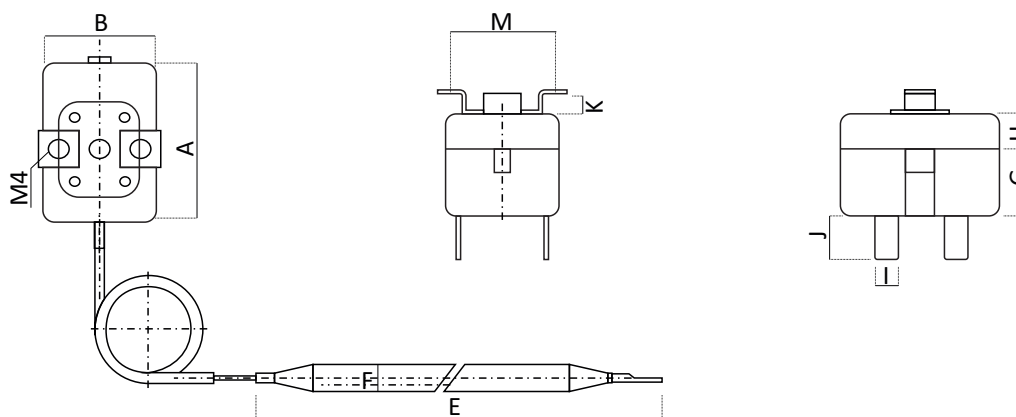
### SPECIFICATION:

Capillary thermal fuses WPR 100 are provided to protect the temperature in case of failure of the operating thermostat in devices heated by electricity. alternating current (boilers, boilers, etc.). Thermal fuses do not act as a switch. Thermal fuses are included in the design with switching contacts, where the function: switching/opening can be selected.

Thermal fuses are included in the version with a fixed or adjustable setting. WPR100 thermal fuses are automatic, i.e. when the temperature drops by a difference, it switches on.

Type	WPR 100	
Regulatory range	100°C	90-100°C
Setting accuracy	±3°C	
Difference	20±5°C	
Max. sensor temperature	125°C	
Capillary length	1500mm	
Angular setting	fixed	120° temperature setting on the dial
Case	galvanized sheet / plastic	
Sensor	copper	
Capillary	copper with PVC protection	
Contact load	c-2: 16A 250V AC, 6A 400V AC; c-1: 4A 250V AC, 1A 400V AC	

## • WPR 100



Dimensions in mm

A	B	C	D	E	F	G	H	I	J	K	M
44	32	M4	1500±50	75	6,5±0,2	17	11	6,3	10	7,5	28

## Wiring diagram

