

HEATING ELEMENTS for ATEX

type combo
spatial



DESCRIPTION:

- rods: AISI316 Ti, dia.16mm
- desing: protective grid made of galvanized or stainless steel AISI 304
- Atex in accordance with ATEX94/9EC

APPLICATION:

- petrochemical industry
 - mining industry
 - power engineering
- surface finishes / treatments

TECHNICAL PARAMETERS:

- power: 500, 800, 1000, 1200, 1500, 1600, 2000, 3000, 4000W
 - voltage: 48V - 690V
- connection for wiring :2x 1/2"NPT (1x1/2"NPT +1x3/4"NPT for 3kW)
 - protection: IP 65/IP 68
 - temperature class: T3
- ambient temperature: -60/ +70°C

SPECIFICATIONS:

The spatial heating element is specially designed for heating small rooms up to 6÷8 m³, where it is desirable to prevent surface condensation of steam.

The heaters are designed for heating static air, they are characterized by a very low specific power (0.66 W / cm²), so that the surface temperature of the heating elements is limited in the presence of natural flow.

For this reason, these products are not suitable for heating large rooms with a complicated floor plan, as it is not possible to ensure that the air temperature is distributed evenly throughout the environment.

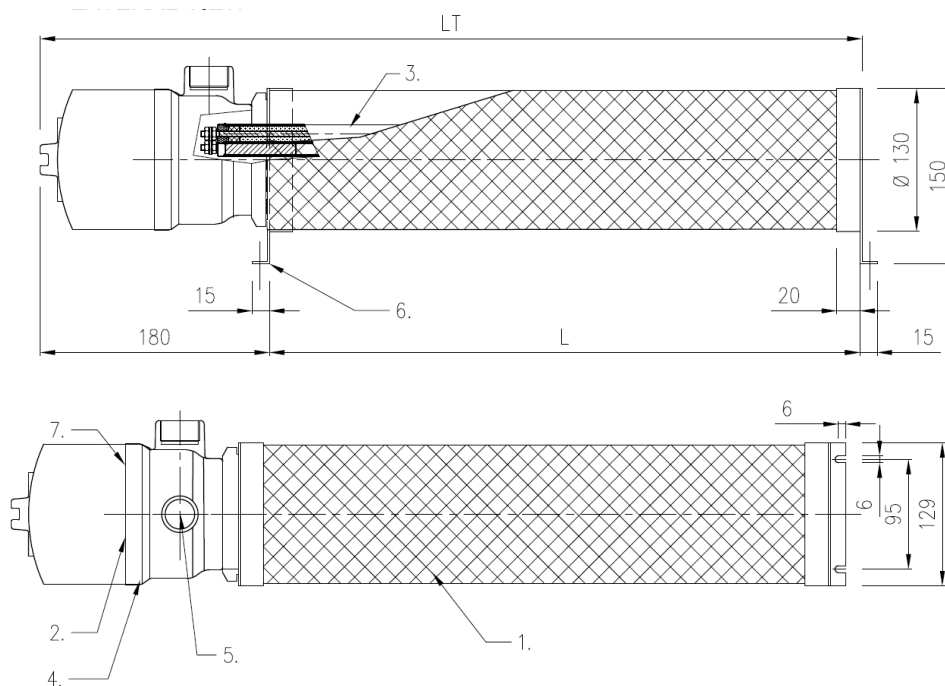
If you want to prevent condensation in rooms that have a complex shape and a volume greater than 6÷8 m³, it is advisable to use air heaters equipped with a fan

Heating element combo - spatial ATEX

Power W	Rods length mm	Rods diameter mm	Number of rods	Surface load W/cm ²	Lenght		Voltage V
					L (mm)	LT (mm)	
500	300	16	3	0,66	325	505	230/1Ph
800	500	16	3	0,66	525	705	230/1Ph
1000	550	16	3	0,66	575	755	230/1Ph
1200	700	16	3	0,66	725	905	230/1Ph
1500	800	16	3	0,66	825	1005	230/1Ph
1600	900	16	3	0,71	925	1005	230/1Ph
2000	1050	16	3	0,66	1075	1255	230/1Ph
3000	1450	16	3	0,71	1475	1655	230/1Ph
4000	1950	16	3	0,70	1975	2175	230/1Ph

Stainless steel / glvanized steel braiding class T3 -230V - 1 Ph

- combo



1. standard material version of the furnace protective grid: AISI 304, optional version on request customer, galvanized or AISI 316 stainless steel
2. thermostat with restart function and automatic reset under the cover of the range terminal 50-220°C
3. AISI 304 heating elements, profile (U), diameter 16 mm
4. terminal and head in accordance with IP 65, ATEX certification: N° CEC _ 10_ATEX_022X
5. connection for cabling according to power 2x 1/2"NPT (1x1/2"NPT +1x3/4"NPT for 3kW)
6. material design of mounting brackets AISI 304
7. thermal fuse with manual reset Tmax 150°C (internal reset)